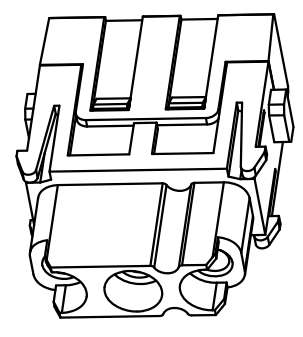
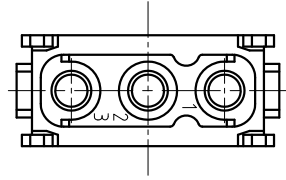
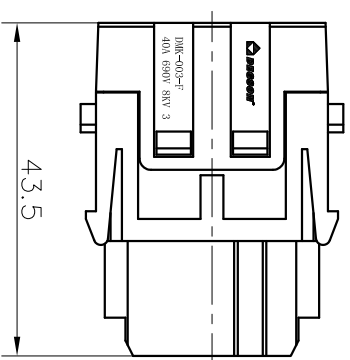
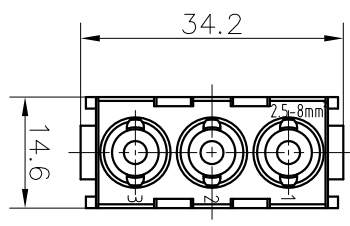


REVISION RECORD			
REV	ECN	DESCRIPTION	DWGT DATE

Technical characteristics:
 Specifications
 DIN EN 60 664-1
 DIN EN 61 984

- Inserts
- 01. Number of contacts : 3
 - 02. Rated Current : 40A
 - 03. Rated Voltage : 690V
 - 04. Pollution degree : 3
 - 05. Rated impulse voltage : 8kv₁₀
 - 06. Insulation resistance : $\geq 10\Omega$
 - 07. Material: Polycarbonate
 - 08. Rated voltage acc. to UL: 600V
 - 09. Limiting temperatures : -40°C~+125°C
 - 10. Flammability acc. to UL94: V0
 - 11. Mechanical working Life (mating cycles) : ≥ 500

- Contacts
- 01. Material: Copper alloy
 - 02. Surface: hard-silver plated
 - 03. Contact resistance : $\leq 0.3m\Omega$
 - 04. Terminal : Axial screw terminal
 - 05. Hexagonal driver: SW2
 - 06. Wire gauge : 2.5~8mm²
 - 07. Tightening torque: 2Nm
 - 08. Stripping length : 9~12mm
 - 09. Rohs Compliance



DETACHED LISTS			
PART NO.:	DMK-003-F(2.5~8mm ²)		
NAME:	NINGBO DEGSON ELECTRICAL CO., LTD		
APPD:			
CHKD:			
DWFT:	LJK	2017.10.10	
TITLE:	CUSTOMER DRAWING		REV DO-1
DRAWING NO.:			SHEET 1/1
THIRD ANGLE PROJECTION		DO NOT SCALE DRAWING	SCALE 1:1