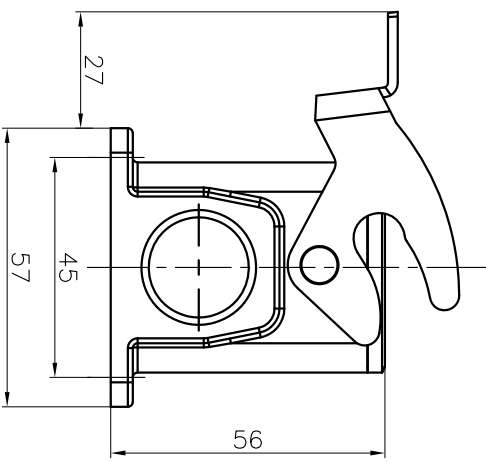
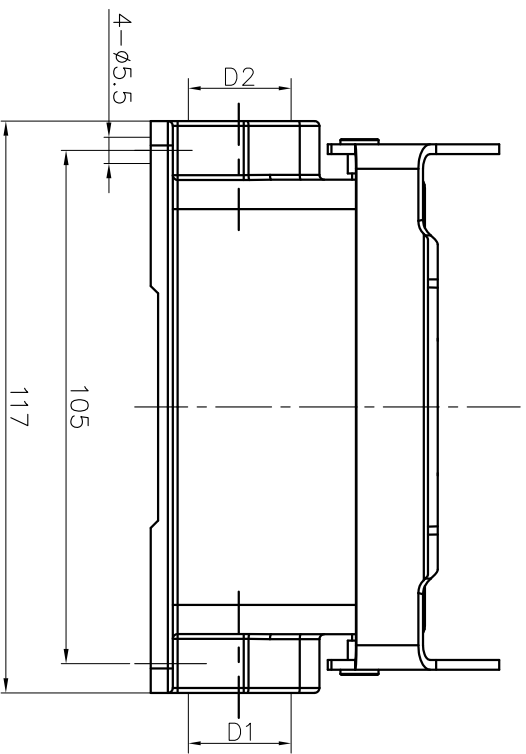
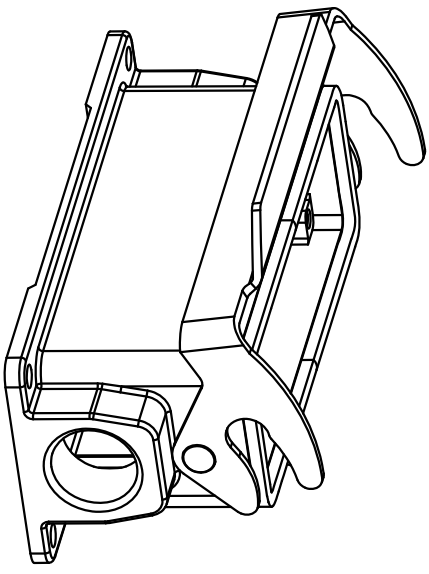


TYPE	Thread		Selection
	D1	D2	
D16B-SF-1L-M25	M25	—	
D16B-SF-1L-2M25	M25	M25	
D16B-SF-1L-PG21	PG21	—	
D16B-SF-1L-2PG21	PG21	PG21	

REVISION RECORD				
REV	ECN	DESCRIPTION	DRFT	DATE



- Housings Feature**
- 01. Material: aluminium die-cast
 - 02. Surface: Powder-coated
 - 03. Color: grey (RAL 7037)
 - 04. Material: Metal (Lever)
 - 05. Sealing: NBR
 - 06. Limiting temperatures: -40°C ~ +125°C
 - 07. Flammability acc to UL94: V0
 - 08. Degree of protection acc.to EN60529 for coupled connector : IP65
 - 09. Rohs compliance

DETACHED LISTS			
PART NO.:	/	NAME:	DEGSON 宁波高松电子有限公司 NINGBO DEGSON ELECTRICAL CO., LTD
APPD:		TITLE:	D16B-SF-1L-M/PG
CHKD:		DRAWING NO.:	
DRFT:	Mr. yong 2017/06/28	TITLE:	CUSTOMER DRAWING
		REV	DO-1
		SHEET	1/1
		SCALE	1:1.5



THIRD ANGLE PROJECTION

DO NOT SCALE DRAWING