

REVISION RECORD				
REV	ECN	DESCRIPTION	DRFT	DATE

Technical characteristics:

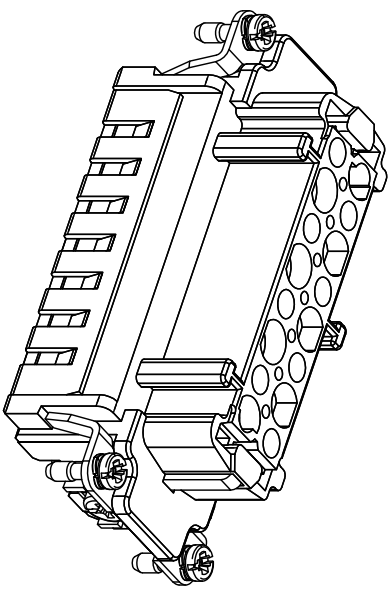
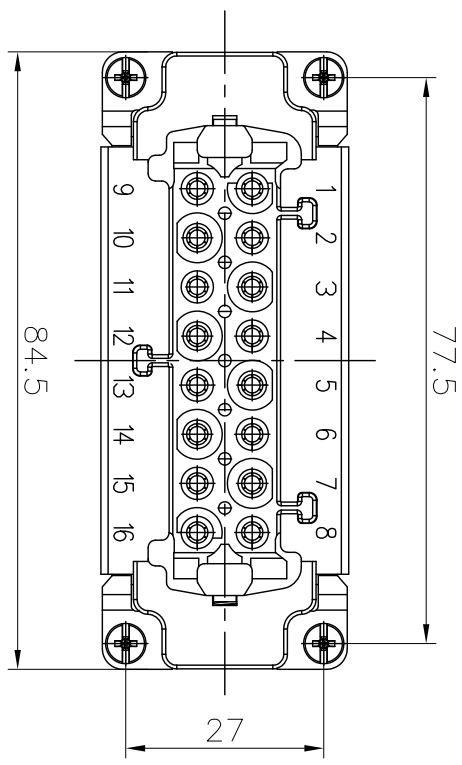
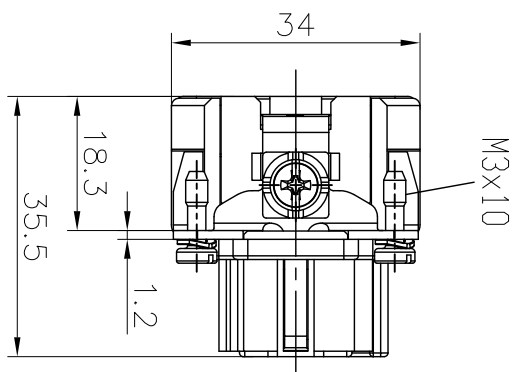
Specifications  
 DIN EN 60 664-1  
 DIN EN 61 984

Inserts

- 01. Number of contacts : 16+PE
- 02. Rated Current : 16A
- 03. Rated Voltage : 500V
- 04. Pollution degree : 3
- 05. Rated impulse voltage : 6kv<sup>10</sup>
- 06. Insulation resistance : ≥10Ω
- 07. Material: Polycarbonate
- 08. Rated voltage acc. to UL/CSA: 600V
- 09. Limiting temperatures : -40℃~+125℃
- 10. Flammability acc. to UL94: V0
- 11. Mechanical working life (mating cycles) : ≥500

Contacts

- 01. Material: Copper alloy
- 02. Surface: hard-silver plated
- 03. Contact resistance : ≤3mΩ
- 04. Terminal : Cage-clamp
- 05. Wire gauge : 0.75-2.5mm<sup>2</sup> (AWG 18-14)
- 06. Stripping length : 7.5mm
- 07. Rohs Compliance



DETACHED LISTS			
PART NO.:	/	NAME:	DEGSON® NINGBO DEGSON ELECTRICAL CO., LTD 宁波高松电子有限公司
APPD:		TITLE:	CUSTOMER DRAWING
CHKD:		DRWING NO.:	/
DRFT:	Mr. Yang 2016.08.08	DO NOT SCALE DRAWING	SCALE
THIRD ANGLE PROJECTION		REV	DO
		SHEET	1/1
		SCALE	1:1

REVISION RECORD				
REV	ECN	DESCRIPTION	DRFT	DATE

Technical characteristics:

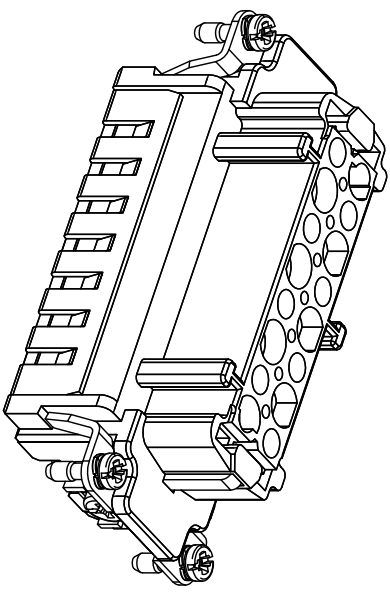
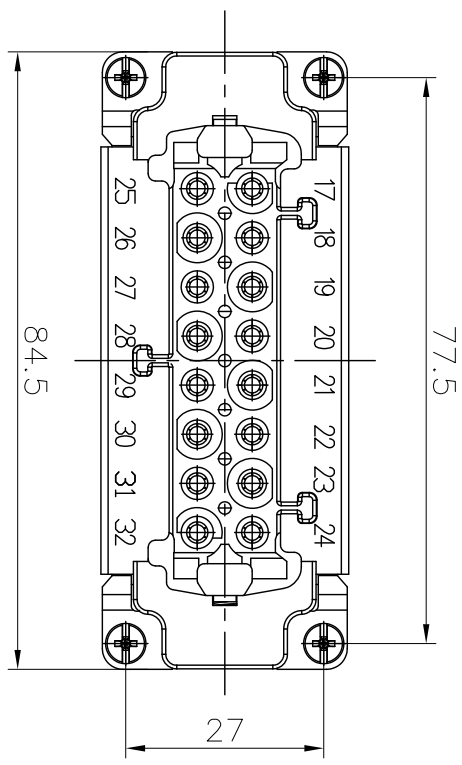
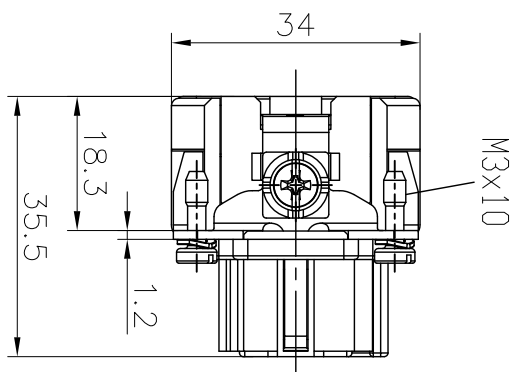
Specifications  
 DIN EN 60 664-1  
 DIN EN 61 984

Inserts

- 01. Number of contacts : 16+PE
- 02. Rated Current : 16A
- 03. Rated Voltage : 500V
- 04. Pollution degree : 3
- 05. Rated impulse voltage : 6kv<sup>10</sup>
- 06. Insulation resistance :  $\geq 10\Omega$
- 07. Material: Polycarbonate
- 08. Rated voltage acc. to UL/CSA: 600V
- 09. Limiting temperatures : -40°C~+125°C
- 10. Flammability acc. to UL94: V0
- 11. Mechanical working life (mating cycles) :  $\geq 500$

Contacts

- 01. Material: Copper alloy
- 02. Surface: hard-silver plated
- 03. Contact resistance :  $\leq 3m\Omega$
- 04. Terminal : Cage-clamp
- 05. Wire gauge : 0.75-2.5mm<sup>2</sup> (AWG 18-14)
- 06. Stripping length : 7.5mm
- 07. Rohs Compliance



DETACHED LISTS			
PART NO.:	/	NAME:	<b>DEGSON</b> NINGBO DEGSON ELECTRICAL CO., LTD 宁波高松电子有限公司
APPD:		TITLE:	CUSTOMER DRAWING
CHKD:		DRAWING NO.:	/
DRFT:	Mr. Yang 2016.08.08	DO NOT SCALE DRAWING	SCALE
THIRD ANGLE PROJECTION		REV	DO
		SHEET	1/1
		SCALE	1:1