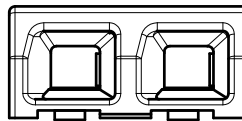
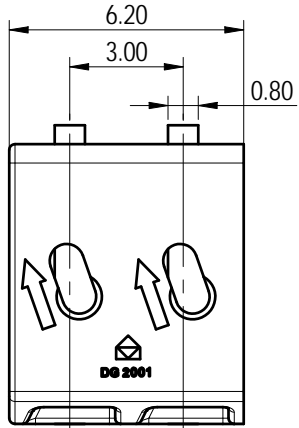
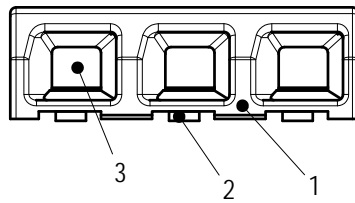
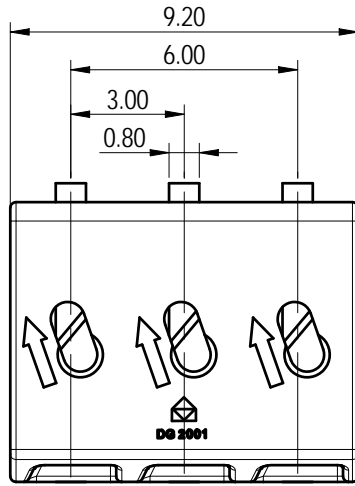


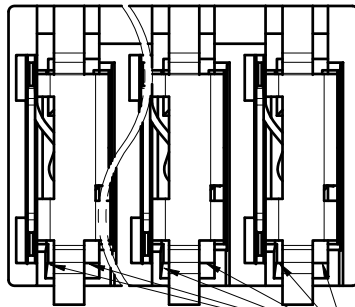
01P



02P

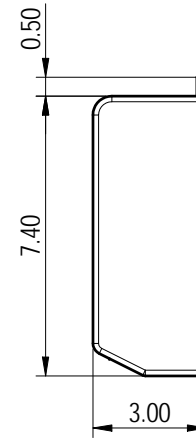


03P

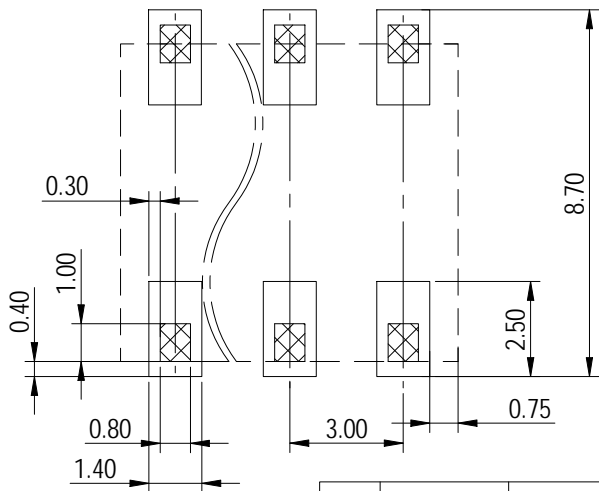


Hot melting (01P-03P)

未注公差/General tolerances (mm)											0.1/10			
0	>3	>6	>10	>18	>30	>50	>80	>120	>180	>250				
±0.12	±0.18	±0.22	±0.26	±0.31	±0.37	±0.57	±0.80	±0.93	±1.05	±1.15	±1.60	±2.20	±2.50	±2'



PCB LAYOUT



3	Spring	Stainless steel	/
2	Pin header	Copper alloy	Sn Plated
1	Housing	LCP+GF	UL94V-0
ITEM	NAME OF PART	MATERIAL	NOTES

UL 标准额定电压/电流/Rated Voltage(V)/Current(A)		600/3(01P) 300/3(02P/03P)		
IEC 标准/AEC Standard:				
过压类别/Overvoltage Category/污染等级/Pollution Degree		III/3	III/2	II/2
额定电压/电流/Rated Voltage(V)/Current(A)		32/3	160/3	160/3
额定脉冲电压(KV)/Rate Impulse Voltage(KV)		2.5	2.5	2.5
线径范围(硬线和软线)/Wire Range(rigid and flexible)(AWG/mm²)		26~22 / 0.14~0.34		
间距/Pitch(mm)/线数范围/Poles		3.0/N=01~03P		
剥线长度/Stripping length(mm)		5.5~6.5		
使用温度范围/Operating temperature(°C)		-40~+130		
符合RoHS环保要求/Conform to RoHS		Yes		

DEGSON

APPD: 蓝贵凡 2023. 12. 05
 CHKD: 曹利彬 2023. 12. 05
 DRFT: 汪德荣 2023. 12. 05

DRAWING NO. / TYPE
 CUSTOMER DRAWING

SCALE: 5:1
 SHEET: 1/4

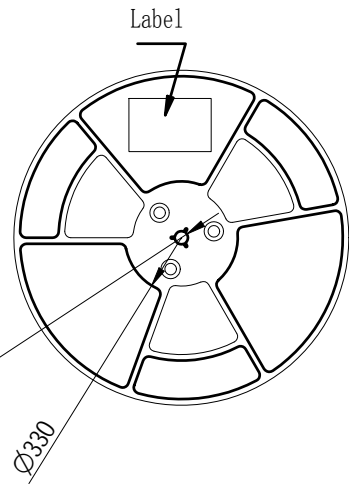
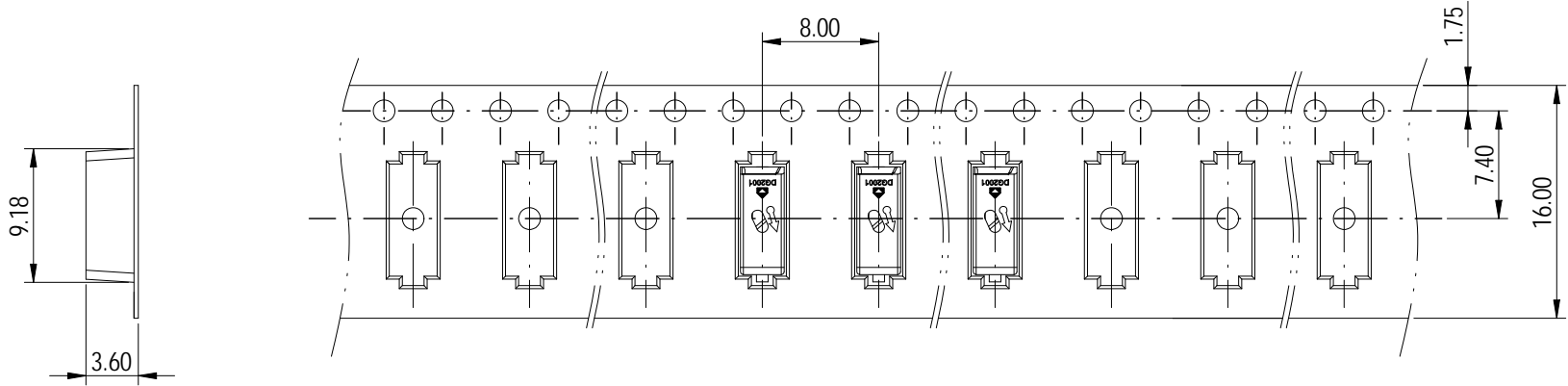
MATERIAL:		SURFACE/COLOR: /		
MAT NO./REV:		MAT STATUS: 批量		
NAME DG2001-3.0-XXP-1Y-01A&Z(H)				
DRAWING NO.	TYPE	DRAWING STATUS	SCALE	SHEET
/	CUSTOMER DRAWING	已发布	5:1	1/4

REV	ECN	DESCRIPTION	DRFT	DATE
00				

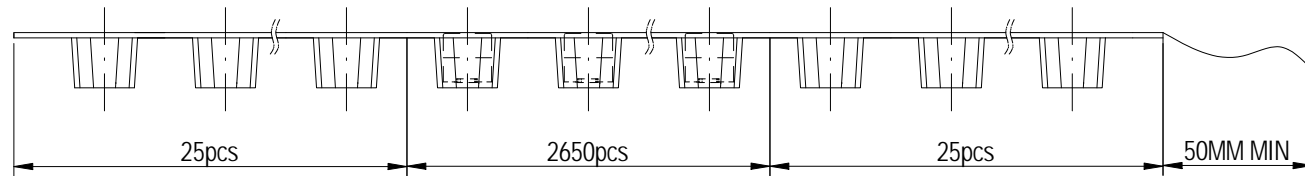
Transfer or duplication of this document as well as the utilization or communication of its content are prohibited unless authorized in writing by DEGSON. All rights reserved for patent. 除专利等明确标注外，其他内容均受版权保护。未经授权，不得复制或传播。 0.1/10

Transfer or duplication of this document as well as the utilization or communication of its contents are prohibited unless authorized in writing by the copyright owner. All rights reserved for patent, utility model or design registrations. 除专利等明确标注外，本文件内容均受法律保护，未经许可不得复制或传播。 保留所有权利，未经许可不得复制或传播。

01P Package



REELING DIRECTION



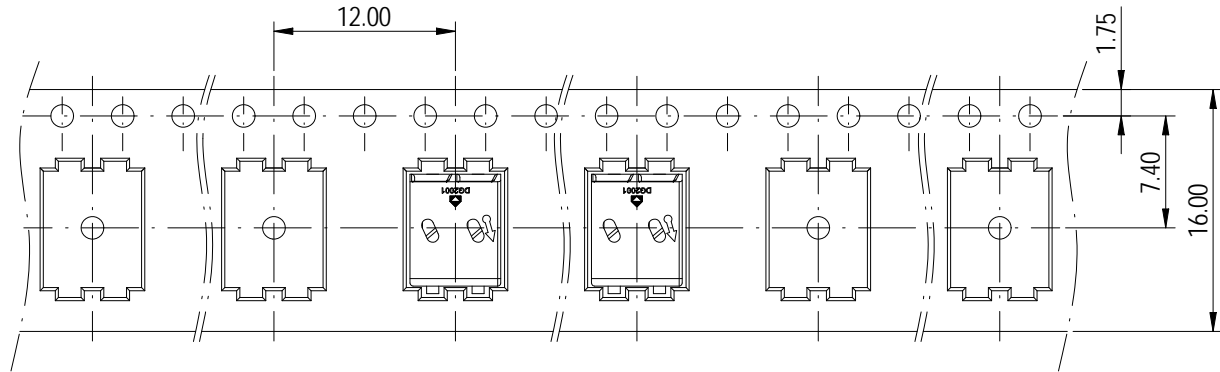
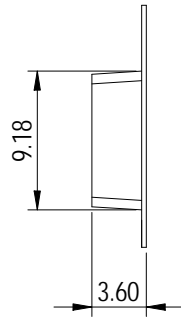
25PCS Blank

25PCS Blank

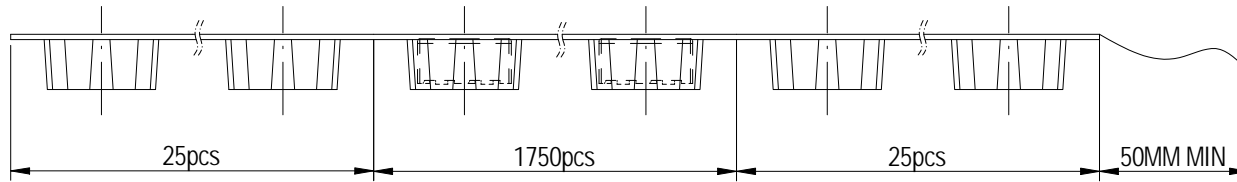
		MATERIAL:	SURFACE/COLOR: /		
		MAT NO./REV:	/ 00 MAT STATUS: 批量		
APPD: 蓝贵凡	2023. 12. 05	NAME			
CHKD: 曹利彬	2023. 12. 05	DG2001-3.0-XXP-1Y-01A&Z(H)			
DRFT: 汪德荣	2023. 12. 05	DRAWING NO.	TYPE	DRAWING STATUS	SCALE
		/	CUSTOMER DRAWING	已发布	1:1
				SHEET	2/4

REV	ECN	DESCRIPTION	DRFT	DATE
00				

02P Package

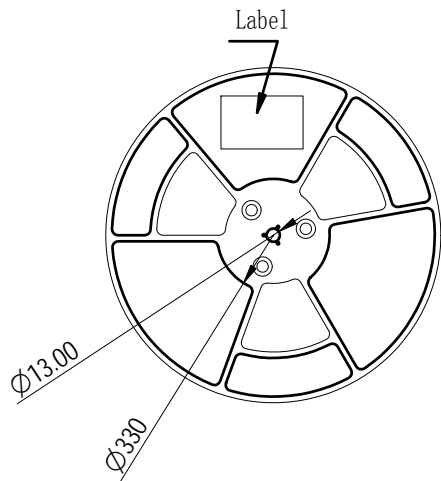


←
Packing Direction



25PCS Blank

25PCS Blank



Transfer or duplication of this document as well as the utilization or communication of its contents are prohibited unless expressly permitted in writing by Degson. All rights reserved for patent, utility model or design registrations. 除特别说明外，本文件的所有权、复制、引用、分发等文件均受法律保护。未经书面许可，不得复制或传播本文件内容。所有权利保留。

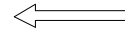
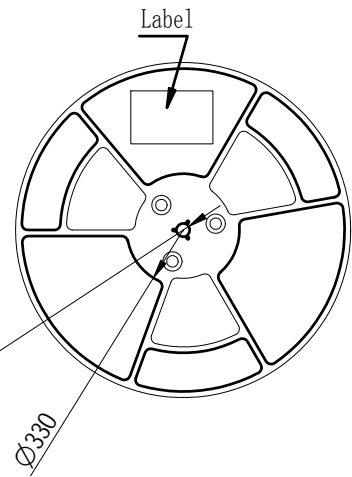
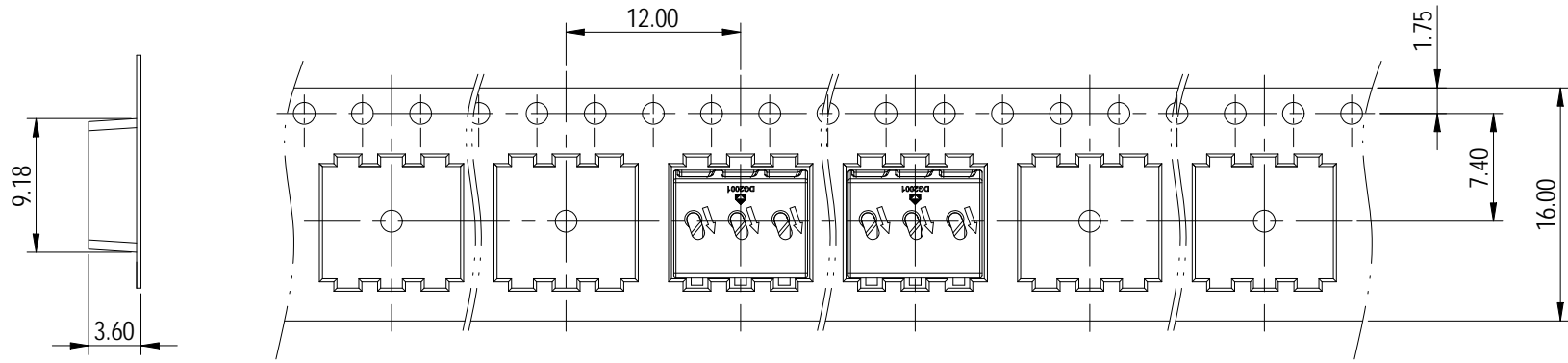


MATERIAL:	SURFACE/COLOR: /
MAT NO./REV: / 00	MAT STATUS: 批量

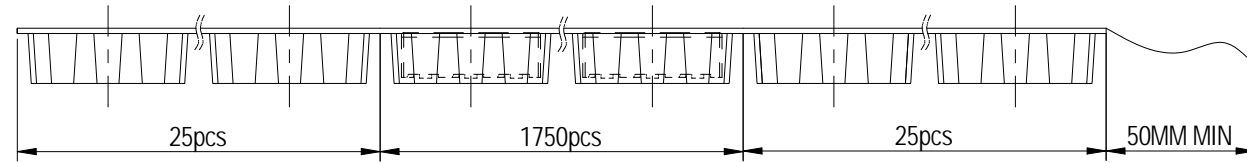
APPD: 蓝贵凡 2023. 12. 05	NAME	DG2001-3.0-XXP-1Y-01A&Z(H)		
CHKD: 曹利彬 2023. 12. 05	DRAWING NO. /	TYPE	DRAWING STATUS	SCALE
DRFT: 汪德荣 2023. 12. 05	A4	CUSTOMER DRAWING	已发布	1:1
				SHEET 3/4

REV	ECN	DESCRIPTION	DRFT	DATE
00				

03P Package



REELING DIRECTION



25PCS Blank

25PCS Blank



MATERIAL:	SURFACE/COLOR: /
MAT NO./REV: / 00	MAT STATUS: 批量

APPD: 蓝贵凡 2023. 12. 05	NAME	DG2001-3.0-XXP-1Y-01A&Z(H)		
CHKD: 曹利彬 2023. 12. 05				

DRFT: 汪德荣 2023. 12. 05	DRAWING NO. /	TYPE CUSTOMER DRAWING	DRAWING STATUS 已发布	SCALE 1:1	SHEET 4/4
------------------------	---------------	-----------------------	--------------------	-----------	-----------

REV	ECN	DESCRIPTION	DRFT	DATE
00				

Transfer or duplication of this document as well as the utilization or communication of its content are prohibited unless authorized in writing by Degson. All rights reserved for patent, utility model or design registrations. 除专利等明确标注外，其他内容均受法律保护。未经授权，不得复制或传播。