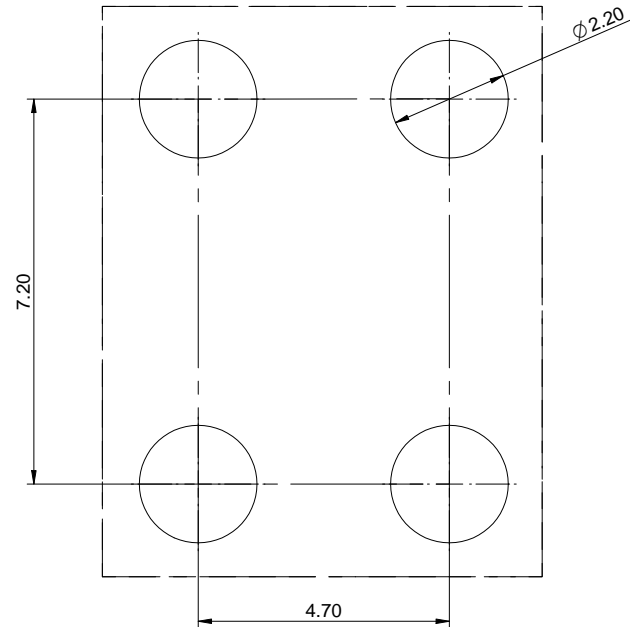
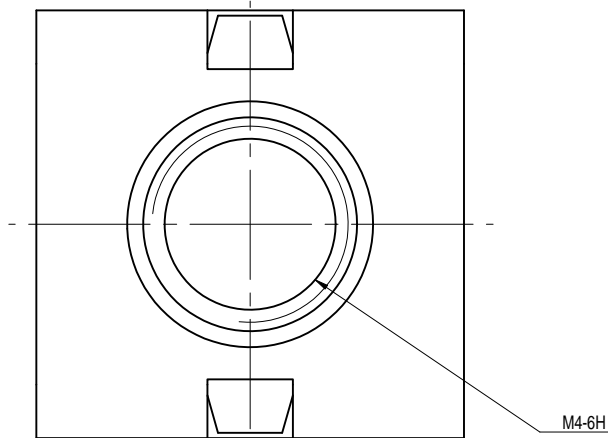
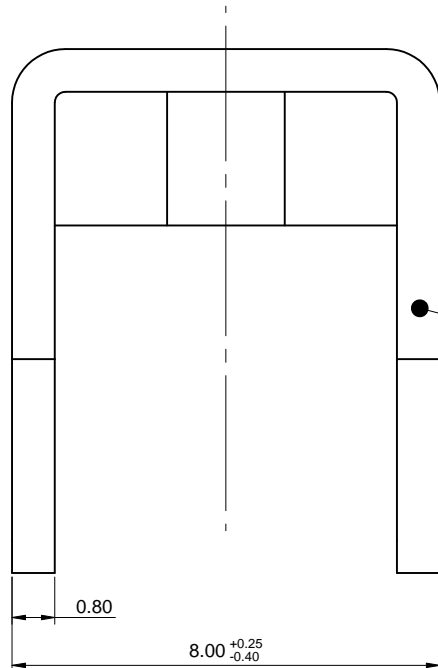
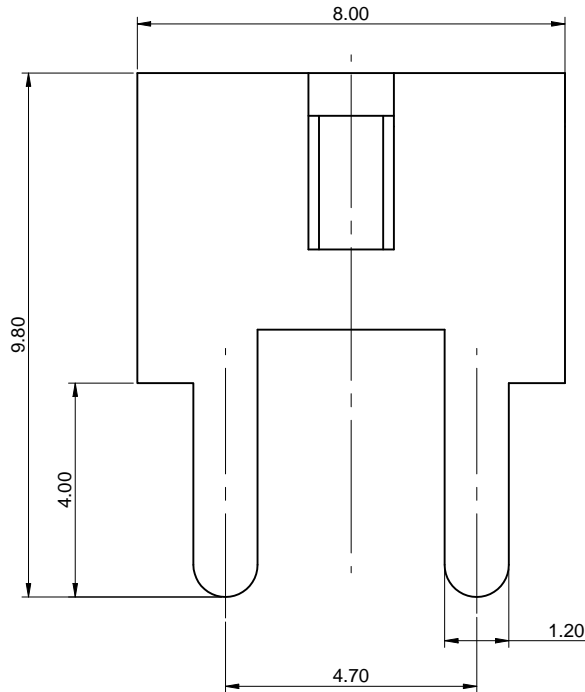


公差/General tolerances (mm)											D 0.1/0	
0	>3	>6	>10	>18	>30	>50	>80	>120	>180	>250		
~	~	~	~	~	~	~	~	~	~	~	>500	N ±2
±0.12	±0.18	±0.22	±0.26	±0.31	±0.37	±0.57	±0.80	±0.93	±1.05	±1.15	±1.60	



PCB LAYOUT



1	Pin Header	Copper alloy	Sn Plated
ITEM	NAME OF PART	MATERIAL	NOTES
UL 标准/UL Standard			45
额定电流/Rated Current(A)			M4, 2.0/17.54
螺丝扭矩/Torque Tightening(N·m/Lbin)			Yes
符合RoHS环保要求/Conform to RoHS			Yes

	MATERIAL:	SURFACE/COLOR:
	MAT NO./REV: 10900000103-1 / 00	MAT STATUS: 批量

APPD: 蓝美凡	2023.05.17	NAME:	K93-01A (H)		
CHKD: 曹利彬	2023.05.11	DRAWING NO.:	200193532	TYPE:	CUSTOMER DRAWING
DRAFT: 曹利彬	2023.05.10	DRAWING STATUS:	已发布	SCALE:	10:1
REV: 00	ECN:	DESCRIPTION:	DRAFT:	DATE:	SHEET: 1/1

00			曹利彬	2023.05.10					
REV	ECN	DESCRIPTION	DRAFT	DATE	比例	比例	比例	比例	比例

Transfer or duplication of this document as well as the utilization of its contents without the written consent of the copyright holder is prohibited. All rights reserved for patent. 此文件的复制或再版以及其内容的利用，未经版权所有者书面许可，均被禁止。所有权利保留。