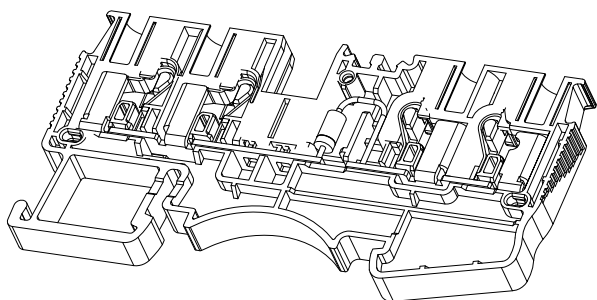
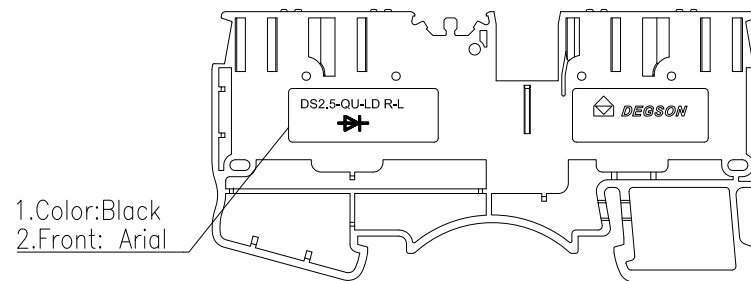
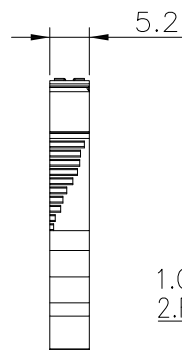
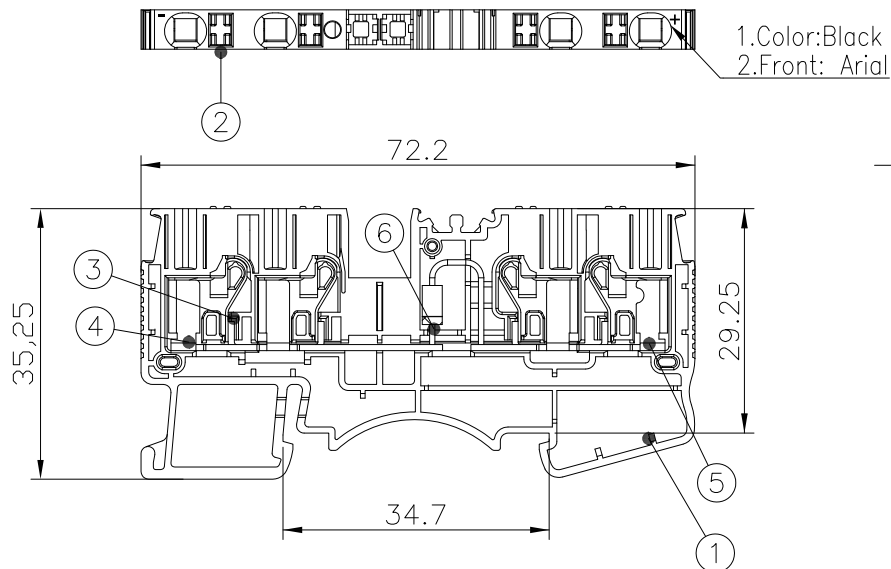


未注公差/General tolerances(mm)														
0	>3	>6	>10	>18	>30	>50	>80	>120	>180	>250	>315	>400	>500	0.1/10 ±2'
~3	~6	~10	~18	~30	~50	~80	~120	~180	~250	~315	~400	~500		
±0.12	±0.18	±0.22	±0.26	±0.31	±0.37	±0.57	±0.80	±0.93	±1.05	±1.15	±1.60	±2.20	±2.50	
额定电压/电流/Rated Voltage(V)/Current(A)												250/1A		
最大反向电压/Reverse Voltage(KV)												1.3		
线径范围(硬线和软线)/Wire Range(rigid and flexible)(AWG/mm ²)												26-12 / 0.2-2.5&4(sol)		
间距/Pitch(mm)												5.2		
剥线长度/Stripping length(mm)												10-12		
使用温度范围/Operating temperature(°C)												-40~+105		
符合RoHS环保要求/Conform to RoHS												Yes		



6	Diode	/	/
5	Current_carrier 2	Copper	Sn Plated
4	Current_carrier 1	Copper	Sn Plated
3	Spring	Stainless steel	/
2	Button	PA66+GF%	UL94 V-0
1	Housing	PA66	UL94 V-0
ITEM	NAME OF PART	MATERIAL	NOTES

		MATERIAL: /	SURFACE: /		
		MAT. NO./REV: /	MAT. STATUS: /		
APPD: LiGL	2021.08.16	NAME			
CHKD: MoEK	2021.08.12	DS2.5-QU-LD R-L-01P-IY-00A1H1			
DRFT: YanH	2021.08.12	DRAWING NO.	TYPE	DRAWING STATUS	SCALE
		/	CUSTOMER DRAWING	/	2:1
					SHEET 1/1

00	/	/	YanH	2021.08.12
REV	ECN	DESCRIPTION	DRFT	DATE

Transfer or Distribution of this document is well as the utilization or reproduction of its contents are prohibited unless authorized in writing. All rights reserved for patent, trademark or design registrations. 未经授权，不得复制或传播。本公司保留对涉及发明、实用新型和外观设计的所有权利。