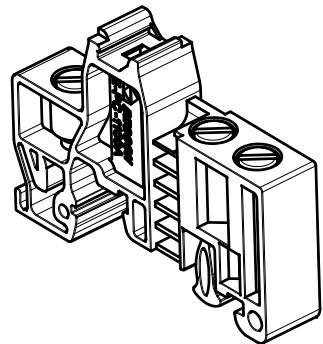
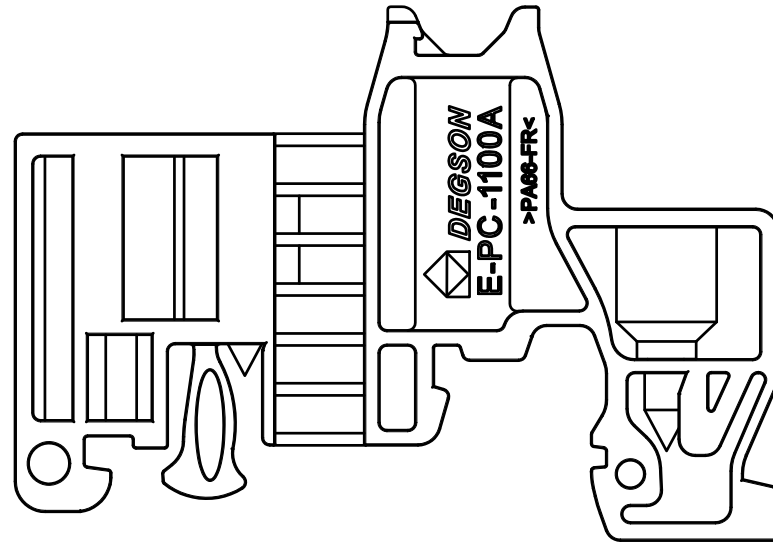
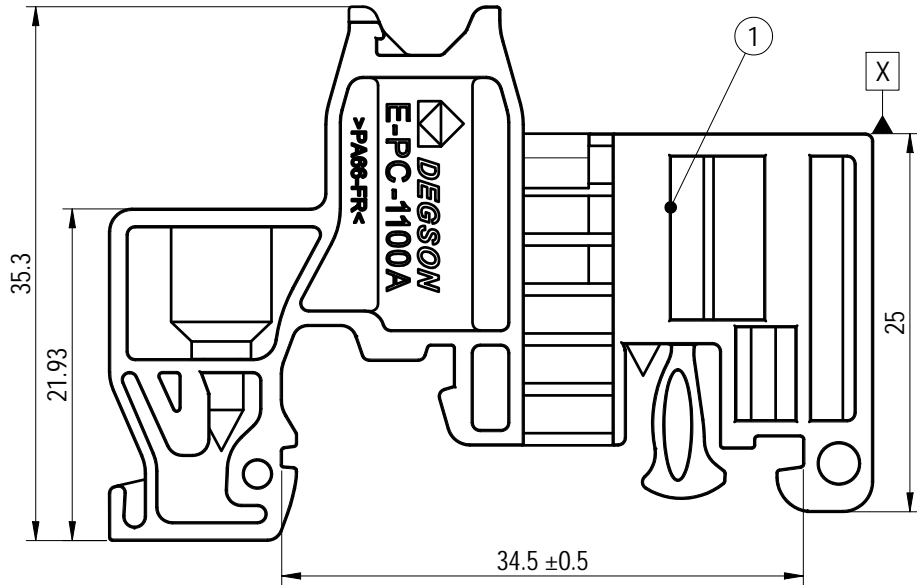
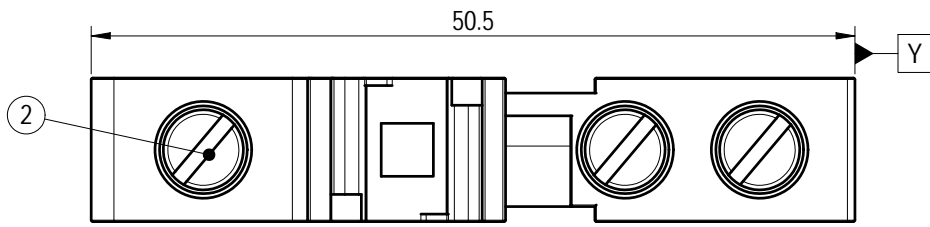


未注公差/General tolerances (mm)												0.1/10	
0	>3	>6	>10	>18	>30	>50	>80	>120	>180	>250	>315		>400
~3	~6	~10	~18	~30	~50	~80	~120	~180	~250	~315	~400	~500	>500
±0.12	±0.18	±0.22	±0.26	±0.31	±0.37	±0.57	±0.80	±0.93	±1.05	±1.15	±1.60	±2.20	±2.50



ITEM	NAME OF PART	MATERIAL	NOTES
2	Screw	Steel	M3/Zn Plated
1	Housing	PA66	UL94V-0

螺丝扭矩/Torque Tightening(N·m/Lb.in)	M3, 0.5/4.43
间距/Pitch(mm)/线数范围/Poles	9.5/01P
使用温度范围/Operating temperature(°C)	-40~+105
符合 RoHS 环保要求/Conform to RoHS	Yes

DEGSON	
APPD: Peng M	2022.06.08
CHKD: Gao WG	2022.06.08
DRFT: Liu Y	2022.06.08

MATERIAL: /	SURFACE/COLOR: /
MAT NO./REV: /	MAT STATUS: /
NAME	
E-PC-01P-1Y-1100A(H)	

REV	ECN	DESCRIPTION	DRFT	DATE
00	/	/	Liu Y	2022.06.08

⊕	⊖	A4	←	(inch)
---	---	----	---	--------

DRAWING NO.	TYPE	DRAWING STATUS	SCALE	SHEET
/	CUSTOMER DRAWING	/	1:1	1/1

Transfer or duplication of this document as well as the utilization or communication of its contents are prohibited unless authorized in advance. All rights reserved for patent. 未经授权复制或传播本文件内容，以及未经授权使用或传播其内容，均属于侵权行为。保留所有权利。 除专利等明确标注外，其他内容均受版权保护。