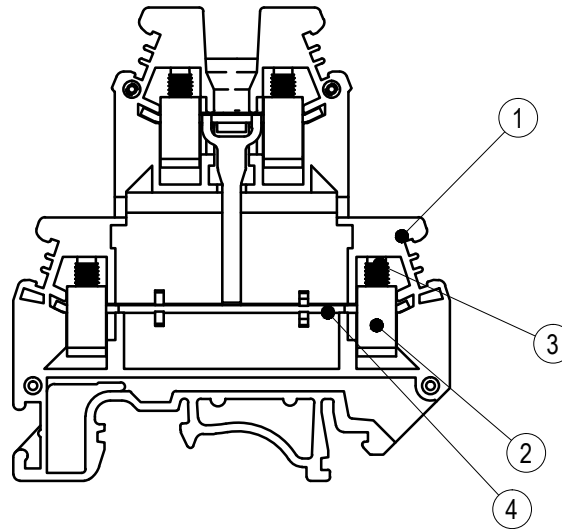
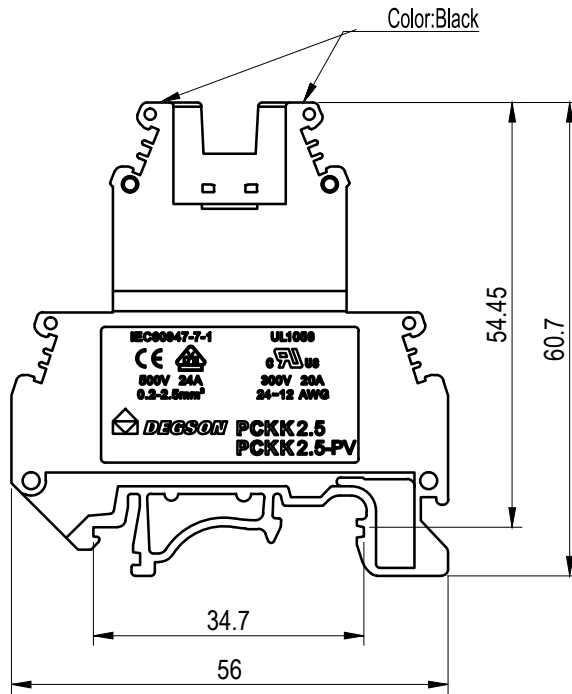
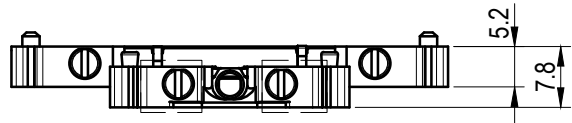


Transfer or duplication of this document as well as the utilization or communication of its contents are prohibited unless explicit authorization is granted. Violations will be liable for compensation. All rights reserved for patent, utility model or designs registrations. 未经授权，复制或传播本文件中的内容，或使用其中的数据、图表或模型，均属于侵权行为。本公司保留所有权利，侵权必究。



公差/General tolerances(mm)													0.1/10	
0~3	>3~6	>6~10	>10~18	>18~30	>30~50	>50~80	>80~120	>120~180	>180~250	>250~315	>315~400	>400~500		>500
±0.12	±0.18	±0.22	±0.26	±0.31	±0.37	±0.57	±0.80	±0.93	±1.05	±1.15	±1.60	±2.20	±2.50	±2'
UL 标准/UL Standard:										B	C	D		
额定电压/电流/Rated Voltage(V)/Current(A)										300/20	/	300/10		
IEC 标准/IEC Standard:														
过压类别/Overvoltage Category/污染等级/Pollution Degree										III/3	III/2	II/2		
额定电压/电流/Rated Voltage(V)/Current(A)										500/24	/	/		
额定脉冲电压(KV)/Rate Impulse Voltage(KV)										6	/	/		
螺丝扭矩/Torque Tightening(N·m/Lb.in)										M3, 0.5/4.5				
线径范围(硬线和软线)/Wire Range(rigid and flexible)(AWG/mm²)										24~12 / 0.2~2.5				
线数范围/Poles										N=01P				
剥线长度/Stripping length(mm)										8~9				
使用温度范围/Operating temperature(°C)										-40~+105				
符合RoHS环保要求/Conform to RoHS										Yes				
标准颜色编号/Standard color number: PANTONE / RAL										/				

4	Current carrier	Copper	Sn Plated
3	Screw	Copper alloy	M3/Ni Plated
2	Cage	Copper alloy	M3/Ni Plated
1	Housing	PA66	UL94V-0
ITEM	NAME OF PART	MATERIAL	NOTES

		MATERIAL: /		SURFACE/COLOR: /	
		MAT NO./REV: /		MAT STATUS: /	
APPD: Peng M	2022.09.27	NAME			
CHKD: Gao WG	2022.09.27	PCKK2.5-PV-01P-1Y-00A(H)			
DRFT: Huang RJ	2022.09.27	DRAWING NO.	TYPE	DRAWING STATUS	SCALE
		/	CUSTOMER DRAWING	/	1:1
					SHEET 1/1

00	/	/	Huang RJ	2022.09.27
REV	ECN	DESCRIPTION	DRFT	DATE