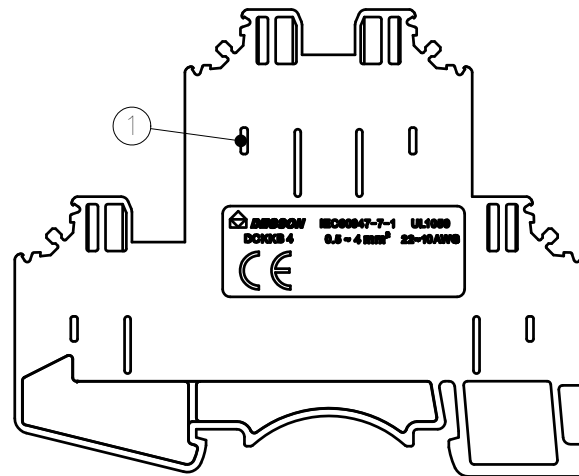
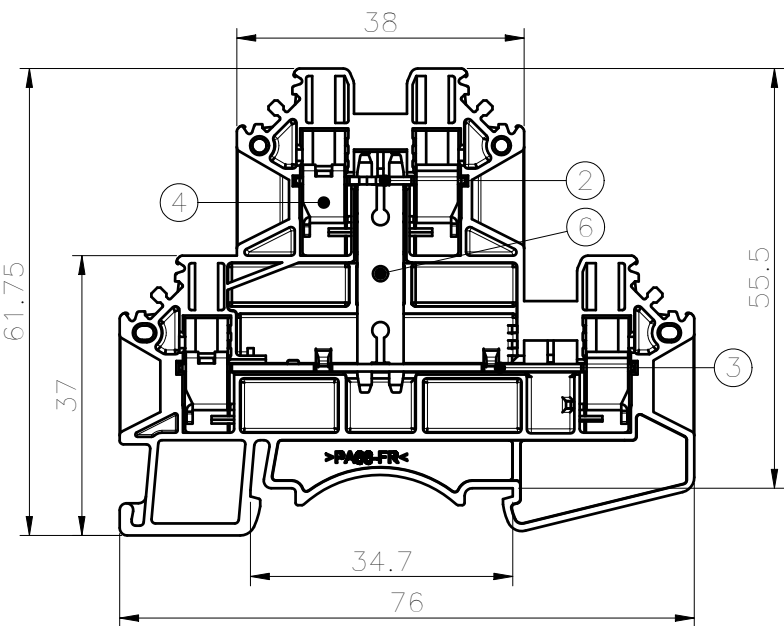
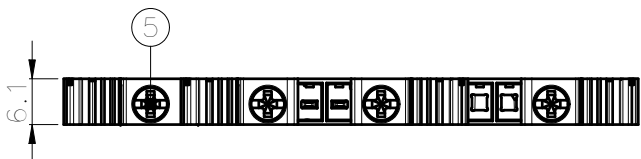


Transfer or duplication of this document as well as the utilization or communication of its contents are prohibited unless written authorization is granted. All rights reserved for patent, utility model or design registrations. 非经书面授权, 否则禁止转让、复制、利用、交还本文件的内容, 一经发现将追究法律责任。 实用新型和外观设计专利的所有权利。



未注公差/General tolerances(mm)													
0	>3	>6	>10	>18	>30	>50	>80	>120	>180	>250	>315	>400	
~3	~6	~10	~18	~30	~50	~80	~120	~180	~250	~315	~400	~500	
±0.12	±0.18	±0.22	±0.26	±0.31	±0.37	±0.57	±0.80	±0.93	±1.05	±1.15	±1.60	±2.20	±2.50

UL 标准/UL Standard:	B	C	D
额定电压/电流/Rated Voltage(V)/Current(A)	300/30	300/30	/
IEC 标准/IEC Standard:			
过压类别/Overvoltage Category/污染等级/Pollution Degree	III/3	III/2	II/2
额定电压/电流/Rated Voltage(V)/Current(A)	800/32	/	/
额定脉冲电压(KV)/Rate Impulse Voltage(KV)	8	/	/
螺丝扭矩/Torque Tightening(N·m/Lb.in)	M3, 0.6/53		
线径范围(硬线和软线)/Wire Range(rigid and flexible)(AWG/mm²)	22~10 / 0.5~4		
间距/Pitch(mm)/线数范围/Poles	6.1/N=01P		
剥线长度/Stripping length(mm)	8~9		
使用温度范围/Operating temperature(°C)	-40~+105		
符合 RoHS 环保要求/Conform to RoHS	Yes		
标准颜色编号/Standard color number: PANTONE / RAL	/		

ITEM	NAME OF PART	MATERIAL	NOTES
6	Current carrier 3	Copper	Sn Plated
5	Screw	Steel	M3/Zn Plated
4	Cage	Steel	M3/Zn Plated
3	Current carrier 2	Copper	Sn Plated
2	Current carrier 1	Copper	Sn Plated
1	Housing	PA66	UL94V-0

		MATERIAL: /	SURFACE: /	
APPD: Peng M 2022.08.21		MAT NO./REV: / /		MAT STATUS: /
CHKD: Gao WG 2022.08.21		NAME		
DRFT: Huang RJ 2022.08.21		DCKKB4-PV-01P-1Y-02A (H)		
DRAWING NO.	TYPE	DRAWING STATUS	SCALE	SHEET
/	CUSTOMER DRAWING	/	1:1	1/1

REV	ECN	DESCRIPTION	DRFT	DATE
00	/	/	Huang RJ	2022.08.21