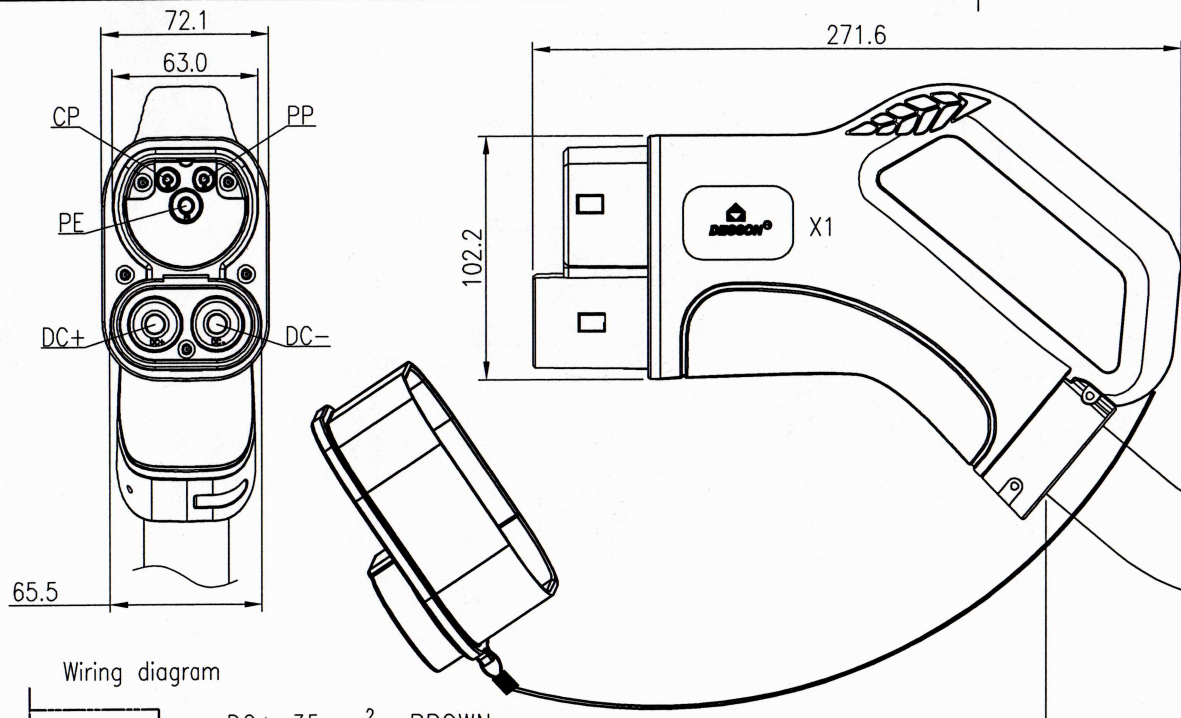
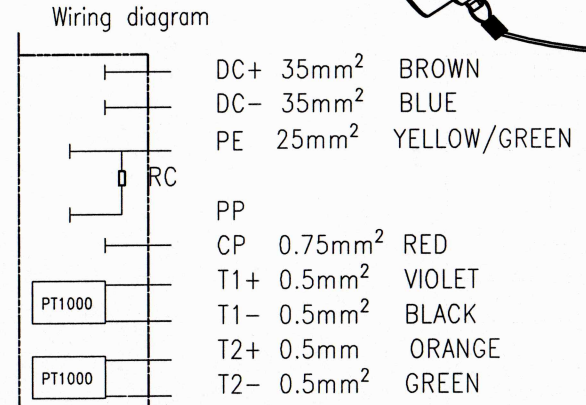
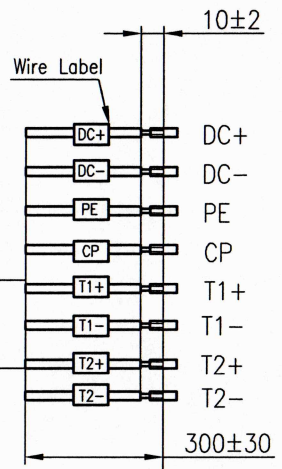


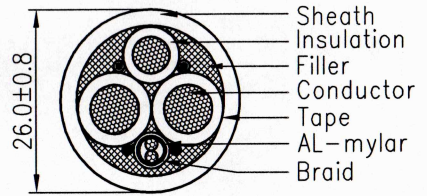
未注公差/General tolerances(mm)																								
0	>3	>6	>10	>18	>30	>50	>80	>120	>180	>250	>315	>400	0.1/10											
~3	~6	~10	~18	~30	~50	~80	~120	~180	~250	~315	~400	~500												
±0.12											±0.18	±0.22	±0.26	±0.31	±0.37	±0.57	±0.80	±0.93	±1.05	±1.15	±1.60	±2.20	±2.50	±Z



X1 Laser Printing Front Note:  
**DEGSON®**  
 Laser Printing Back Note (Arial):  
**MEDC-T-125A-V-03-5.0M-30AH**  
**125A 1000V DC**  
**IEC 62196-3:2014**  
**IP54**  
**20xxxxxx-xxxx**



RC = 1500Ω ± 3%



额定电压/Rated Voltage/Current	1000V DC;125A
绝缘电阻/Insulate Resistance	>500MΩ,1000V DC 1min
耐压/Withstanding Voltage	DC+, DC- and PE, 3500V AC 1min
	DC+ and DC- 3500V AC 1min
	PP and CP ,1500V AC 1min
防护等级/Ingress Protection	IP54
插拔寿命/Insertion/Pullout Times	10,000 Times
插拔力/Insertion/Pullout Force	<100N
使用温度范围/Operating temperature(°C)	-30°C~+50°C
线材规格/Cable specification	2*35mm <sup>2</sup> +25mm <sup>2</sup> +P(2*0.75mm <sup>2</sup> ) +4*0.5mm <sup>2</sup> Black
标准/Reference standard	IEC 62196-3:2014
符合RoHS环保要求/Conform to RoHS	Yes

MATERIAL:	/	SURFACE:	/
MAT NO.:		<b>宁波高松电子有限公司</b> <b>NINGBO DEGSON ELECTRICAL CO., LTD</b>	
STATUS:	/		
APPD:		NAME: MEDC-T-125A-V-03-5.0M-30A(H)	
CHKD:	Can-WP 2022.04.26	DRAWING NO.:	
DRFT:	Hu MY 2022.04.26	REV	D0-1
SIZE:	A4	TYPE:	CUSTOMER DRAWING
SCALE:	1:3	SHEET:	1/1

REV	ECN	DESCRIPTION	DRFT	DATE

Transfer or duplication of this document as well as the utilization or communication of its contents are prohibited unless explicit authorization is granted. Violations will be liable for compensation. All rights reserved for patent, utility model or designs registrations. 除非经书面明确授权，否则禁止转让、复制、利用、交流本文件的内容，侵犯者将承担法律责任。本公司保留对本文件的所有权利。