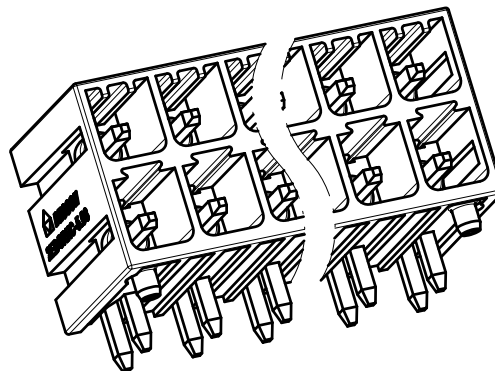
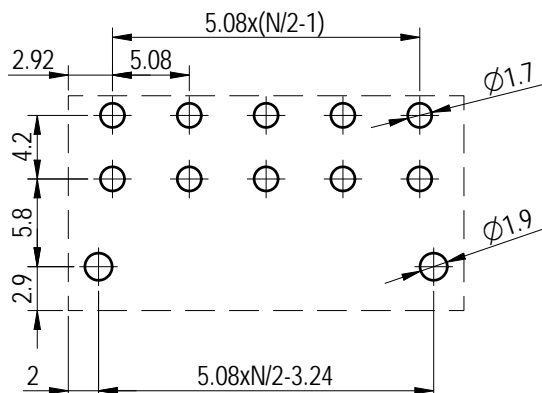
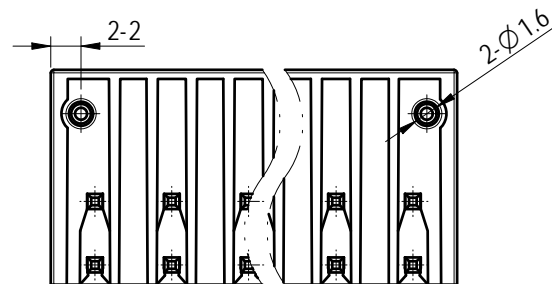
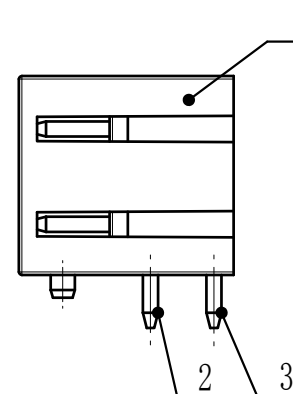
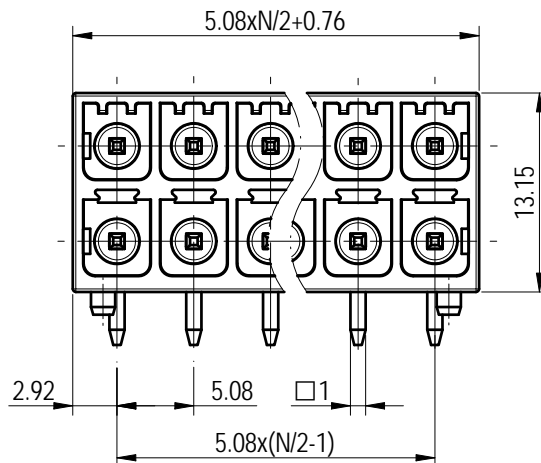
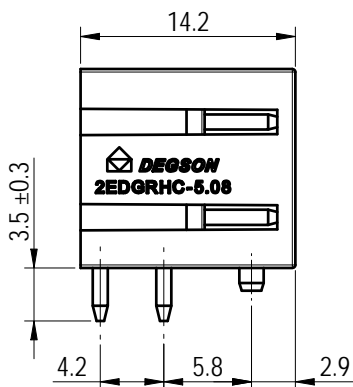


PCB LAYOUT



未注公差/General tolerances (mm)													0.1/10	
0	>3	>6	>10	>18	>30	>50	>80	>120	>180	>250	>315	>400		>500
±0.12	±0.18	±0.22	±0.26	±0.31	±0.37	±0.57	±0.80	±0.93	±1.05	±1.15	±1.60	±2.20	±2.50	±2'
3	Long pin				Copper				Sn plated					
2	Short pin				Copper				Sn plated					
1	Housing				PA				UL94V-0					
ITEM	NAME OF PART				MATERIAL				NOTES					



Note:
The A&Z (H) in the name means: A(H) and Z(H).

UL 标准/UL Standard:	B	C	D
额定电压/电流/Rated Voltage(V)/Current(A)	300V/10	/	300/10
IEC 标准/IEC Standard:			
过压类别/Overvoltage Category/污染等级/Pollution Degree	III/3	III/2	II/2
额定电压/电流/Rated Voltage(V)/Current(A)	250/8	400/8	630/8
额定脉冲电压(KV)/Rate Impulse Voltage(KV)	4	4	4
间距/Pitch(mm)线数范围/Poles	5.08/N-04-36P		
使用温度范围/Operating temperature(°C)	-40~+120		
符合RoHS环保要求/Conform to RoHS	Yes		

DEGSON		MATERIAL:	SURFACE/COLOR:	
APPD: 兰春华 2022.08.19		MAT NO./REV: - / 00	MAT STATUS: 批量	
CHKD: 陈招 2022.08.19		NAME		
DRFT: 巴宇辉 2022.08.19		2EDGRHC-5.08-XXP-1Y-00A&Z(H)		
DRAWING NO.	TYPE	DRAWING STATUS	SCALE	SHEET
200060718	CUSTOMER DRAWING	已发布	2:1	1/1

REV	ECN	DESCRIPTION	DRFT	DATE
00			巴宇辉	2022.08.19

Transfer or duplication of this document as well as the utilization or communication of its content are prohibited unless authorized in writing. All rights reserved for patent. 除专利声明外，其他内容均受法律保护。未经许可，不得复制或传播。本公司保留对产品及零件的所有权利。