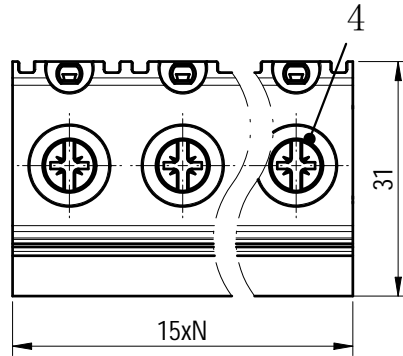
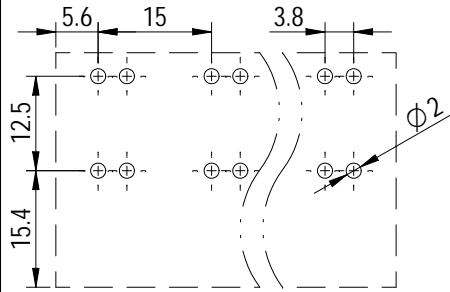
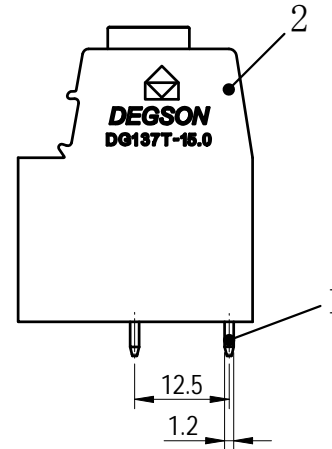
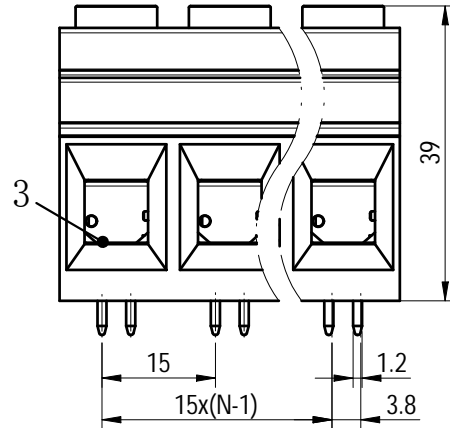
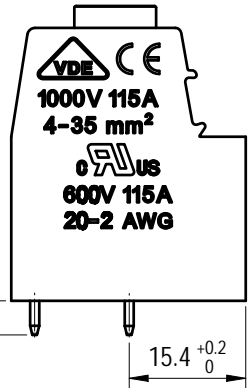
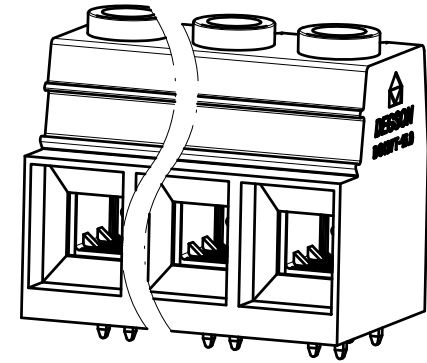


PCB LAYOUT



未注公差/General tolerances (mm)													0.1/10	
0	>3	>6	>10	>18	>30	>50	>80	>120	>180	>250	>315	>400		
~3	~6	~10	~18	~30	~50	~80	~120	~180	~250	~315	~400	~500	>500	
±0.12	±0.18	±0.22	±0.26	±0.31	±0.37	±0.57	±0.80	±0.93	±1.05	±1.15	±1.60	±2.20	±2.50	±2'

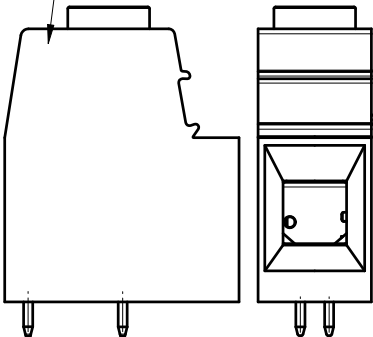


ITEM	NAME OF PART	MATERIAL	NOTES
4	Screw	Steel	M5/Zn plated
3	Cage	Steel	M5/Zn plated
2	Housing	PA66	UL94V-0
1	Pin header	Copper	Sn plated

UL 标准/UL Standard:	B	C	D
额定电压/电流/Rated Voltage (V)/Current (A)	600/115	600/115	/
IEC 标准/IEC Standard:			
过压类别/Overvoltage Category/污染等级/Pollution Degree	III/3	III/2	II/2
额定电压/电流/Rated Voltage (V)/Current (A)	/	1000/115	/
工频耐压 (V)/Withstanding Voltage (V)	/	AC3000	/
螺丝扭矩/Torque Tightening (N · m/Lb.in)	M5, 2/17.54		
线径范围 (硬线和软线)/Wire Range (rigid and flexible) (AWG/mm²)	20~2 / 4~35		
间距/Pitch (mm)/线数范围/Poles	15.0/N=01~09P		
剥线长度/Stripping length (mm)	18~19		
使用温度范围/Operating temperature (°C)	-40~+105		
符合 RoHS 环保要求/Conform to RoHS	Yes		

无认证刻字

01P



MATERIAL: -	SURFACE/COLOR:
MAT NO./REV: - / 00	MAT STATUS: 批量

APPD: 兰春华	2022. 11. 01
CHKD: 陈招	2022. 11. 01
DRFT: 袁路易	2022. 11. 01

NAME				
DG137T-15. 0-XXP-1Y-00A&Z (H)				

REV	ECN	DESCRIPTION	DRFT	DATE	DWG NO.	TYPE	DRAWING STATUS	SCALE	SHEET
00			袁路易	2022. 11. 01	200063525	CUSTOMER DRAWING	已发布	2:1	1/1

Transfer or duplication of this document as well as the utilization or communication of its contents are prohibited unless authorized in writing. All rights reserved for patent, utility model or design registrations. 除专利、实用新型、外观设计、软件著作权等合法权利外，其他权利均归本公司保留。未经许可，不得复制或传播。