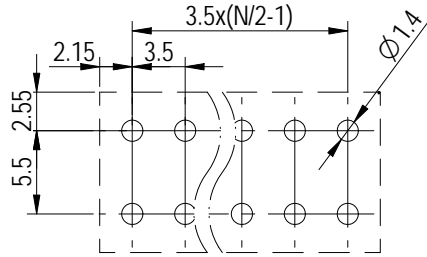
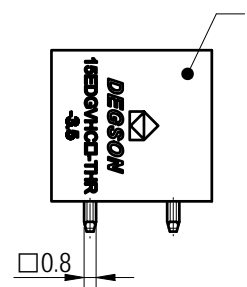
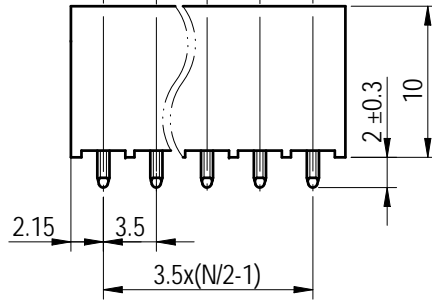
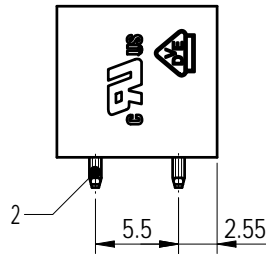
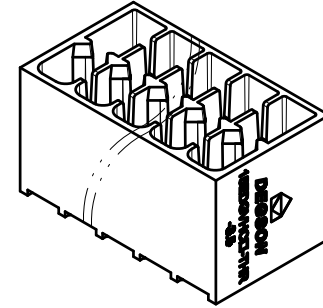
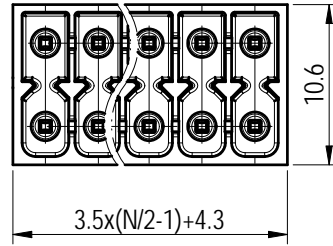


PCB LAYOUT



未注公差/General tolerances (mm)													0.1/10
0	>3	>6	>10	>18	>30	>50	>80	>120	>180	>250	>315	>400	
~3	~6	~10	~18	~30	~50	~80	~120	~180	~250	~315	~400	~500	
±0.12	±0.18	±0.22	±0.26	±0.31	±0.37	±0.57	±0.80	±0.93	±1.05	±1.15	±1.60	±2.20	
												±2.50	



ITEM	NAME OF PART	MATERIAL	NOTES
2	Pin	Copper	Sn Plated
1	Housing	Thermoplastic	UL94V-0

UL 标准/UL Standard:	B	C	D
额定电压/电流/Rated Voltage(V)/Current(A)	300/8	50/8	300/8
IEC 标准/IEC Standard:			
过压类别/Overvoltage Category/污染等级/Pollution Degree	III/3	III/2	II/2
额定电压/电流/Rated Voltage(V)/Current(A)	200/9.5	200/9.5	400/9.5
额定脉冲电压(KV)/Rate Impulse Voltage(KV)	2.5	2.5	2.5
间距/Pitch(mm)/线数范围/Poles	3.5/N=04~48P		
使用温度范围/Operating temperature(°C)	-30~+120		
符合RoHS环保要求/Conform to RoHS	Yes		

DEGSON

APPD: 兰春华 2023.03.22
 CHKD: 龚耀志 2023.03.22
 DRFT: 周锡锦 2023.03.22

MATERIAL: SURFACE/COLOR:
 MAT NO./REV: - / 01 MAT STATUS: 批量

NAME: 15EDGVHC-THR-3.5-XXP-1Y-1000Z(H)-PA

DRAWING NO. TYPE DRAWING STATUS SCALE SHEET
 200166489 CUSTOMER DRAWING 已发布 2:1 1/1

REV	ECN	DESCRIPTION	DRFT	DATE
00			周锡锦	2023.03.22

Transfer or duplication of this document as well as the utilization or communication of its content are prohibited unless authorized in writing by Degson. All rights reserved for patent. 除专利注明情况外，其他部分均不作为专利。未经许可，不得翻印、复制或传播。如有侵权，必究。Degson 保留所有权利。