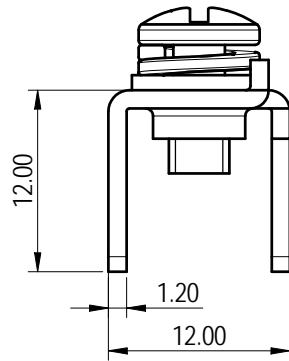
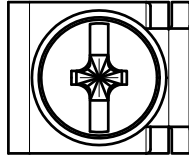
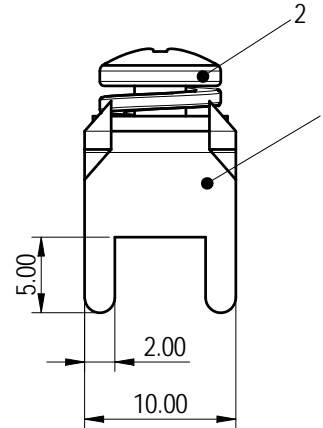
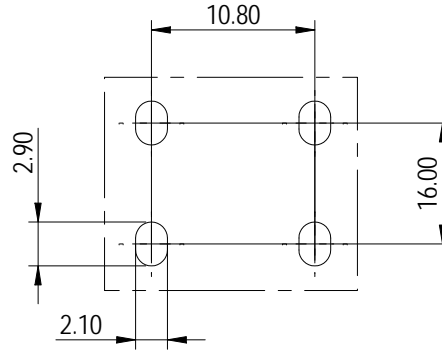


Transfer or duplication of this document as well as the utilization or communication of its contents are prohibited unless expressly permitted. Violations will be treated as copyright infringement. All rights reserved for patent, utility model or design registrations. 除专利权明确授权，否则禁止转让、复制、引用、交流本文件的内容。未经明确许可，擅自复制或传播本文件内容，将构成侵权。所有权利保留。



PCB LAYOUT



未注公差/General tolerances (mm)													0.1/10 ±2'	
0 ~ 3	>3 ~ 6	>6 ~ 10	>10 ~ 18	>18 ~ 30	>30 ~ 50	>50 ~ 80	>80 ~ 120	>120 ~ 180	>180 ~ 250	>250 ~ 315	>315 ~ 400	>400 ~ 500		>500
±0.12	±0.18	±0.22	±0.26	±0.31	±0.37	±0.57	±0.80	±0.93	±1.05	±1.15	±1.60	±2.20	±2.50	

Note: The A&Z (H) in the name means: A(H) and Z(H).

ITEM	NAME OF PART	MATERIAL	NOTES
2	Screw	Steel	Zn Plated
1	Pin header	Copper alloy	Sn Plated

额定电流/Rated Current(A)	65A
螺丝扭矩/Torque Tightening(N·m/Lb.in)	M5, 1.98/17.54
使用温度范围/Operating temperature(°C)	-40~+105
符合RoHS环保要求/Conform to RoHS	Yes

		MATERIAL:	SURFACE/COLOR:		
APPD: 蓝贵凡 2023.08.17		MAT NO./REV: / 00		MAT STATUS: 批量	
CHKD: 曹利彬 2023.08.17		NAME			
DRFT: 孙科豪 2023.08.17		K34-00A&Z(H)			
DRAWING NO.	TYPE	DRAWING STATUS	SCALE	SHEET	
200146151	CUSTOMER DRAWING	已发布	2:1	1/1	

REV	ECN	DESCRIPTION	DRFT	DATE
00				

