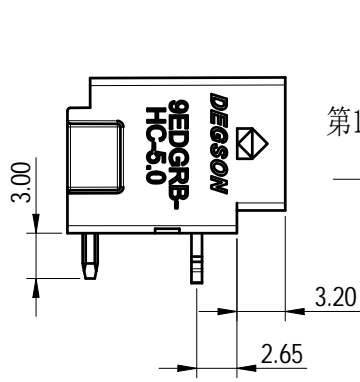
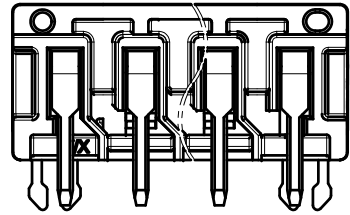
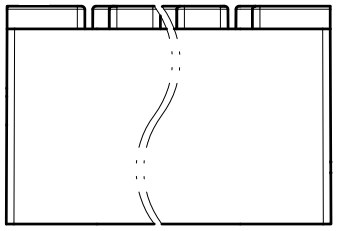
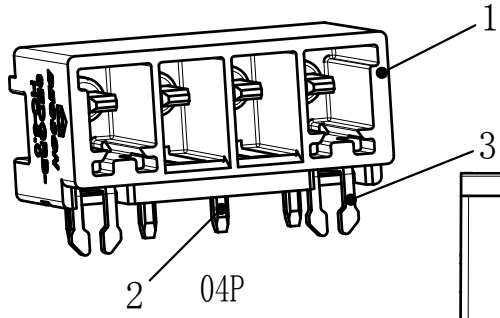


未注公差/General tolerances (mm)												
0	>3	>6	>10	>18	>30	>50	>80	>120	>180	>250	>315	>400
~	~	~	~	~	~	~	~	~	~	~	~	>500
±0.12	±0.18	±0.22	±0.26	±0.31	±0.37	±0.57	±0.80	±0.93	±1.05	±1.15	±1.60	±2.20

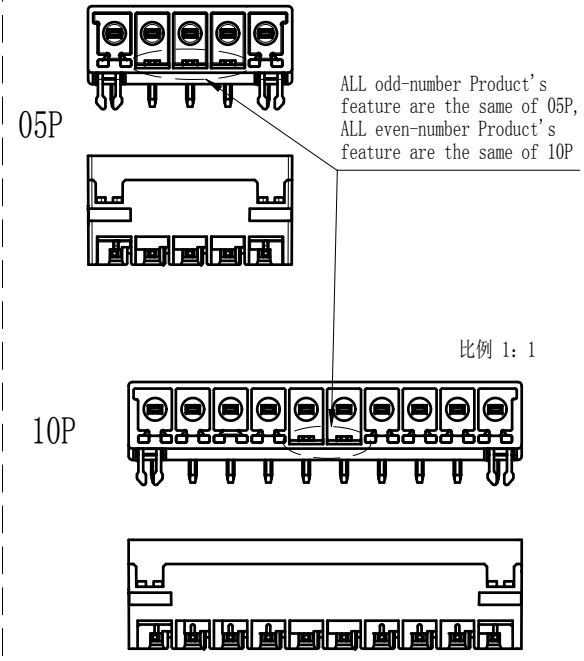
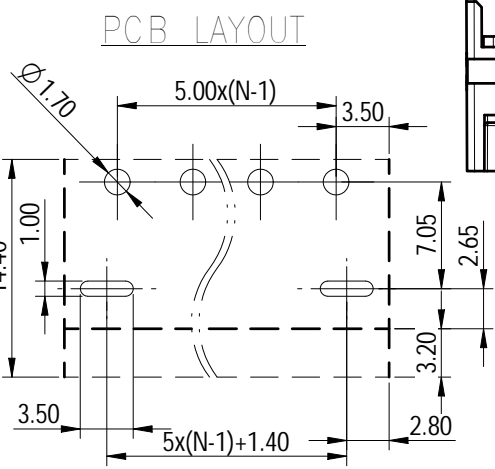
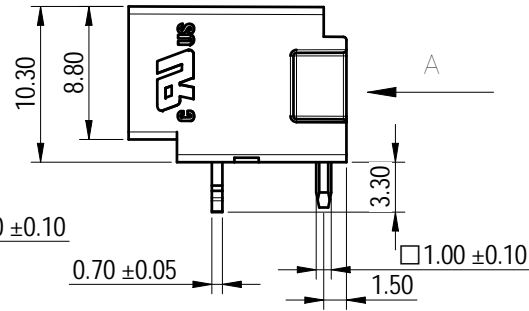
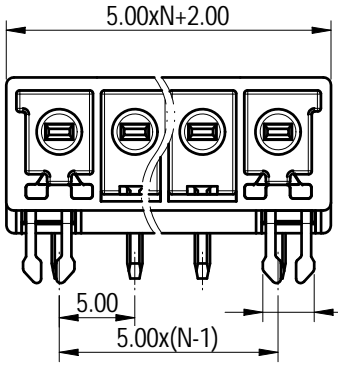
0.1/10
±2'

UL 标准/UL Standard:	B	C	D
额定电压/电流/Rated Voltage(V)/Current(A)	300/20	/	300/10
UL 标准/UL Standard:	F(III/3)	/	/
额定电压/电流/Rated Voltage(V)/Current(A)	300/20	/	/
额定脉冲电压(KV)/Rate Impulse Voltage(KV)	4	/	/
IEC 标准/IEC Standard:			
过压类别/Overvoltage Category/污染等级/Pollution Degree	III/3	III/2	II/2
额定电压/电流/Rated Voltage(V)/Current(A)	500/20	630/20	1000/20
额定脉冲电压(KV)/Rate Impulse Voltage(KV)	4	4	4
间距/Pitch(mm)/线数范围/Poles	5.00/N=02-10P		
使用温度范围/Operating temperature(°C)	-40~+105		
符合RoHS环保要求/Conform to RoHS	Yes		

视图 A



第1位开始



ALL odd-number Product's feature are the same of 05P, ALL even-number Product's feature are the same of 10P

比例 1: 1

Notes: The A&Z(H) in the name means:A(H) and Z(H)

REV	ECN	DESCRIPTION	DRFT	DATE
00	/	产品线修改为2-10P	曹利彬	2023.12.18

		MATERIAL: PA66	SURFACE/COLOR: -		
		MAT NO./REV: - / 00	MAT STATUS: 批量		
APPD: 蓝贵凡	2022.09.14	NAME			
CHKD: 曹利彬	2022.09.14	9EDGRB-HC-5.0-XXP-1Y-00A&Z(H)			
DRFT: 汪德荣	2022.09.14	DRAWING NO. 2000109963	TYPE CUSTOMER DRAWING	DRAWING STATUS 已放行	SCALE 2:1
				SHEET 1/1	

Transfer or duplication of this document as well as the utilization or communication of its content are prohibited unless authorized in advance. Violations will be held responsible. All rights reserved for patent. 除专利等权利外，其他权利均归本公司所有。未经许可，不得复制或传播。本公司保留对涉及发明、实用新型和外观设计的所有权利。