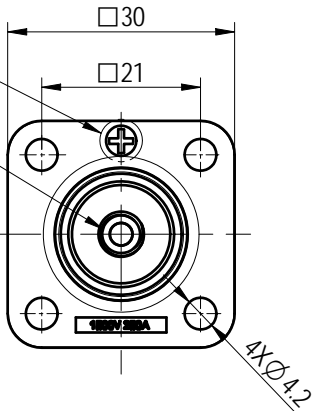


尺寸公差(mm)					0.05/10 ±1'
0	>30	>60	>100	>150	
~	~	~	~	~	
±0.20	±0.30	±0.50	±0.70	±1.00	

技术要求/Technical requirements:	
颜色/Color	Black, Orange
锁紧方式/Locking method	螺钉 (Copper Screw)
接线方式/Terminal	Copper Screw
外壳材料/Housing material	PA+GF
接触件材料/Connector material	铜合金 (Copper alloy)
安装螺母紧固扭矩/Screw torque	M4/0.4~0.7N.m M5/2N.m M6/3N.m
推荐线鼻子型号(M6)/Recommended Line nose(M6)	SC70-6 (M6)
推荐螺丝型号(M6)/Recommended screw type(M6)	GB 9074.4-88 M6X10
额定电压/Rated voltage	1500V DC
额定电流/Rated current	250A
绝缘电阻/Insulate resistance	≥5000Ω (drying)
耐电压/Withstanding voltage	6800V/min
过电压等级/Overvoltage category	III
污染等级/Pollution degree	3
防护等级/Ingress protection	IP67 (面板安装后)
使用温度范围/Operating temperature(° C)	-40~+125(including temperature rise)
盐雾/Salt spray	48H
储存温度/Storage temperature(° C)	-40~+85
阻燃等级/Flame retardant ability	UL94-V0
符合RoHS环保要求/Conform to RoHS	Yes
满足户外使用/Satisfy outdoor use	Yes

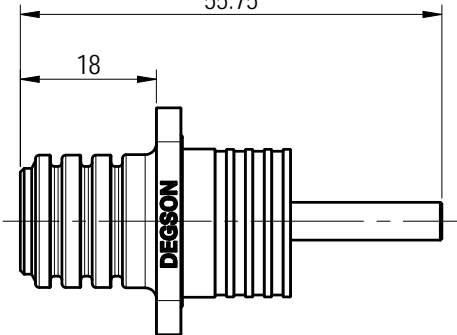
正极“+”/Positive electrode“+”  
负极“-”/Negative electrode“-”

M6X1.0

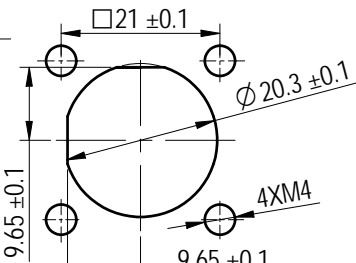


55.75

18

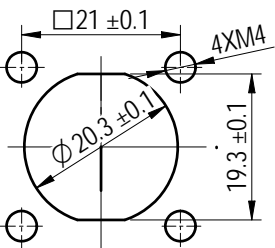


正极/Positive electrode



Recommended Panel cut-out

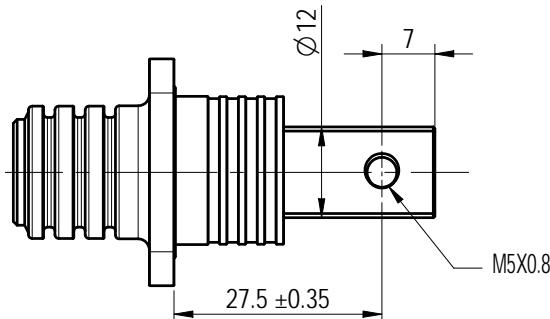
负极/Negative electrode



Recommended Panel cut-out

Ø12

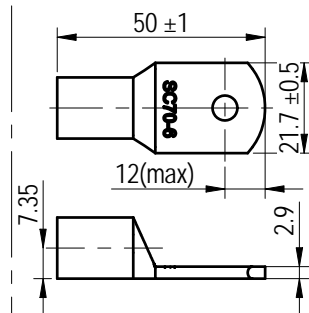
7



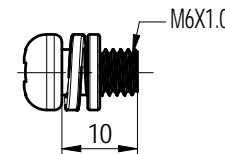
EGD-250A-70-B/S-XX-10

Color :BK : Black 负极  
OR : Orange 正极

建议线鼻子SC70-6:



建议: GB9074.4-88  
M6X10 (压接处) 适配螺丝尺寸



MATERIAL: 材质	SURFACE/COLOR: 表面处理
MAT NO./REV: 物料编码 / 版本	MAT STATUS: 物料状态

APPD: Liu J	2024-10-30	NAME	EGD-250A-70-B/S-XX-10		
CHKD: Yu JH	2024-10-30				
DRFT: Wang zp	2024-10-30				

REV	ECN	DESCRIPTION	DRFT	DATE
02		开板尺寸顺时针旋转90°并将IP67(mated)修改为IP67 (安装面板后)	Wang zp	2024-11-25
01		增加推荐螺丝和线鼻子	Wang zp	2024-10-30

DRAWING NO.	TYPE	DRAWING STATUS	SCALE	SHEET
图号	图纸类型	图纸状态	1:1	1/1

Transfer or duplication of this document as well as the utilization or communication of its contents are prohibited unless authorized in writing by DEGSON. All rights reserved for patent. 除专利声明外, 其他内容均受法律保护。未经授权, 不得复制或传播。 保留所有权利, 未经许可, 不得复制或传播。