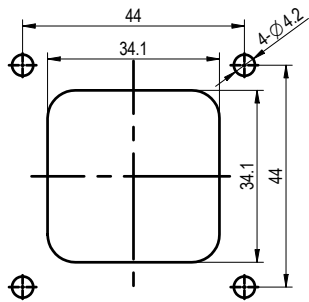
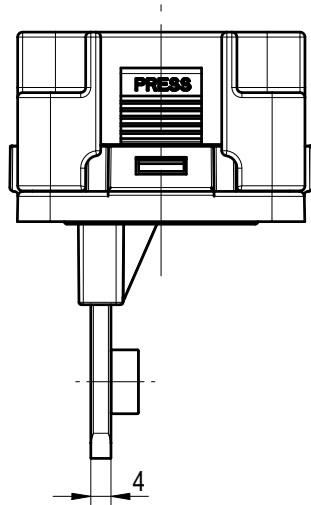
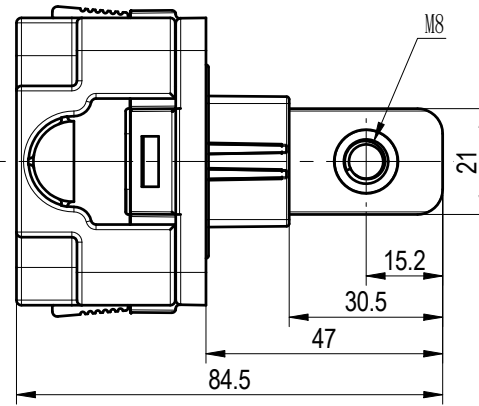
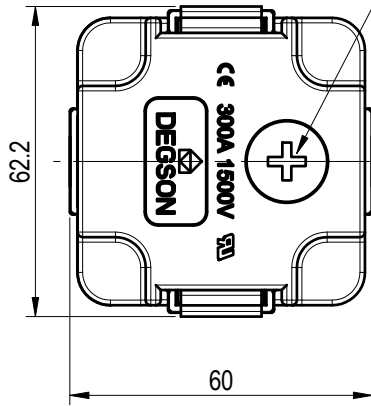


Transfer or duplication of this document as well as the utilization or communication of its content are prohibited unless authorized in writing by Degson. All rights reserved for patent. 除专利等明确标注外，本文件的所有权、复制、引用、分发等文件均受法律保护。未经书面许可，不得复制或传播本文件内容。Degson 保留所有权利。

Dimensional tolerances(mm)					Length tolerances(mm)				0.1/10 ±2°
0 ~ 30	>30 ~ 60	>60 ~ 100	>100 ~ 150	>150	0 ~ 5000	>5000 ~ 10000	>10000 ~ 30000	>30000	
±0.25	±0.35	±0.55	±0.80	±1.10	±55	±105	±205	±505	

额定电压/Rated Voltage	Current	1500V/300A
绝缘电阻/Insulation Resistance		≥5000MΩ
接线方式/Terminal		Copper Screw
锁板扭矩 (N.m)		0.4-0.8
铜排嵌合扭矩 (N.m)		M8.6
防水等级/Levels of protection		IP20
使用温度范围/Operating temperature(°C)		-40~+125
符合RoHS环保要求/Conform to RoHS		Yes

正极 Positive “+”  
负极 Negative “-”



Panel Mounted

EGD-300A-B95-B/S-XX-00

COLOR:

OR: ORANGE 正极 “+”  
BK: BLACK 负极 “-”  
RD: RED 正极 “+”

建议接线大小: 4/0AWG

图纸版本	ECN	变更描述	设计人	设计日期
REV	ECN	DESCRIPTION	DRFT	DATE

		MATERIAL: 材质	SURFACE/COLOR: 表面处理	
		MAT NO./REV: 物料编码 / 版本	MAT STATUS: 物料状态	
APPD: Liu J	2024-11-04	NAME		
CHKD: Yu JH	2024-11-04	EGD-300A-B95-B/S-XX-00		
DRFT: Yu KW	2024-11-04	DRAWING NO.	TYPE	DRAWING STATUS
		图号	图纸类型	图纸状态
		SCALE	SHEET	
		1:1.5	1/1	