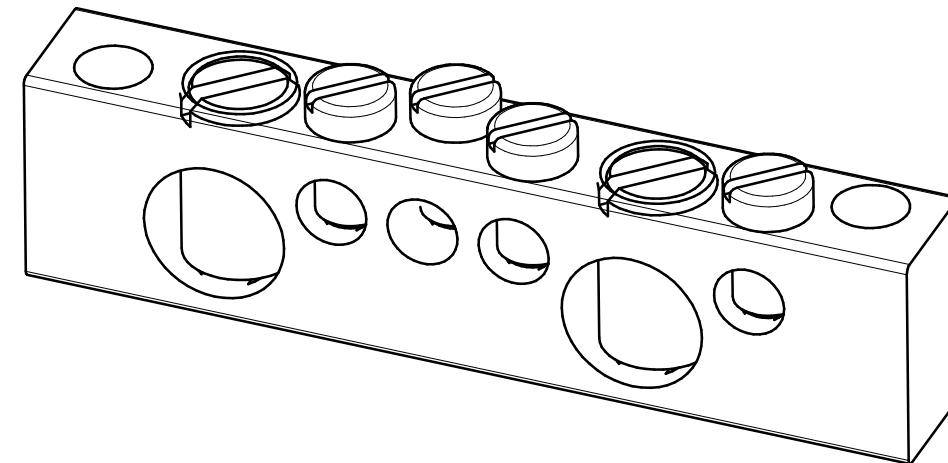
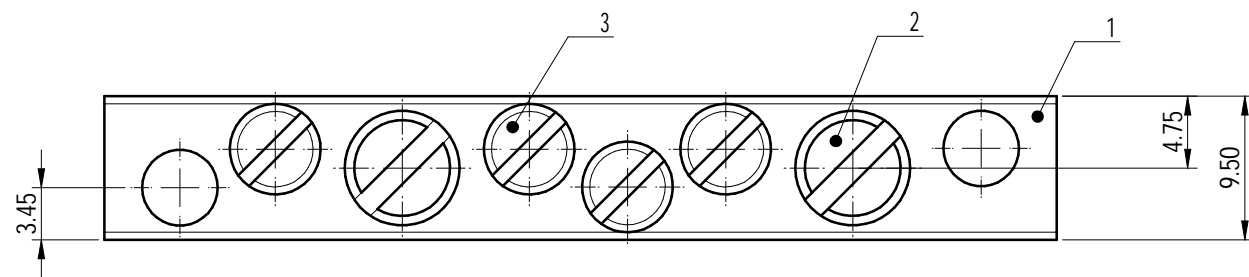
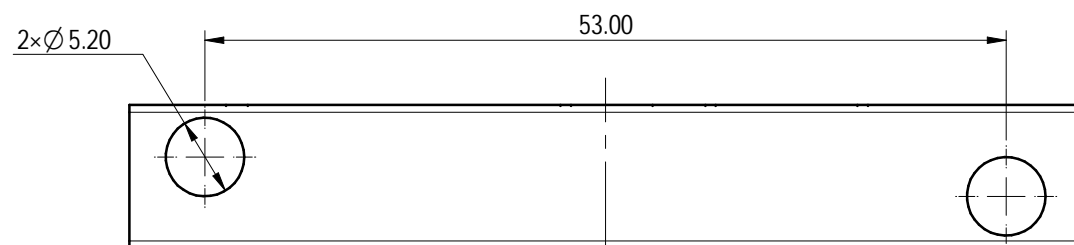
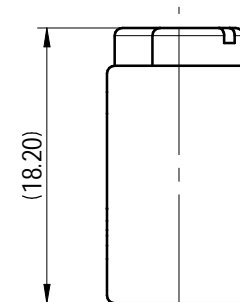
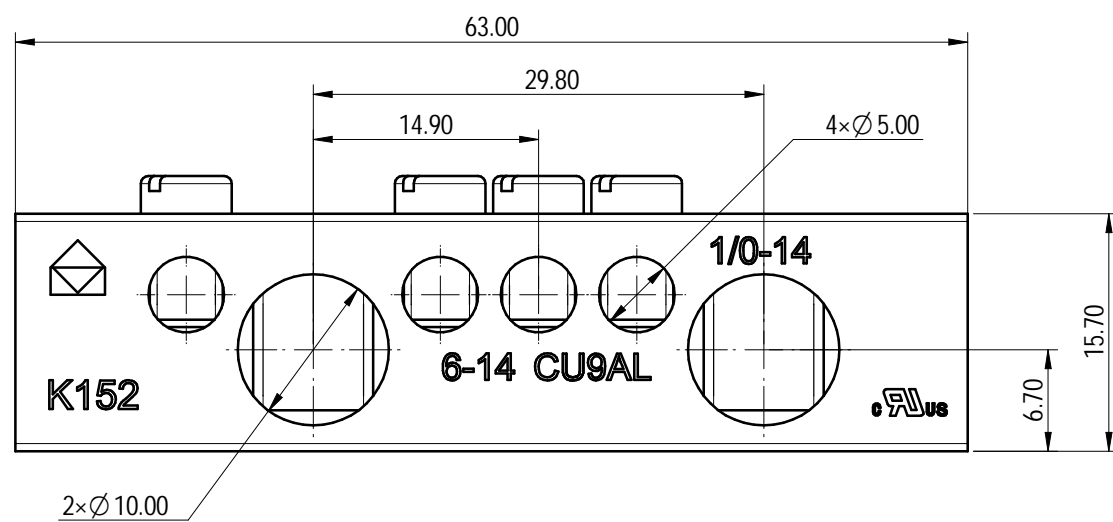


未注公差/General tolerances(mm)											0.1/10 ±2'		
0	>3	>6	>10	>18	>30	>50	>80	>120	>180	>250		>315	>400
±0.12	±0.18	±0.22	±0.26	±0.31	±0.37	±0.57	±0.80	±0.93	±1.05	±1.15	±1.60	±2.20	±2.50



please refer to the 3D model, for those unmarked dimensions.



ITEM	NAME OF PART	MATERIAL	NOTES
3	#10-32 Screw	Stainless	SUS304
2	5/16-24 Screw	Stainless	SUS304
1	Cage	AL6061	Sn Plated

#10-32 Torque Tightening(N·m/Lb.in)	3.60 / 31.86
5/16-24 Torque Tightening(N·m/Lb.in)	5.60 / 49.56
Cross setion(AWG)	14~1/0, 14~6
Conform to RoHS	Yes

<b>DEGSON</b>		SURFACE/COLOR:	
MATERIAL:		MAT STATUS: 小批量	
APPD: 蓝贵凡	2024.07.04	NAME	
CHKD: 曹利彬	2024.07.04	K152-00A&Z(H)	
DRAFT: 孙科豪	2024.07.04	DRAWING NO.	TYPE
REV		200209850	CUSTOMER DRAWING
ECN		DRAWING STATUS	SCALE
DESCRIPTION		已发布	2:1
DRFT		SHEET	1/1
DATE			
A3			

REV	ECN	DESCRIPTION	DRFT	DATE
01		增加UL认证刻字		

Transfer or duplication of this document as well as the utilization or communication of its contents are prohibited unless explicit authorization is granted. Violations will be liable for compensation. All rights reserved for patent. 复制或再行传播此文件以及其内容之利用或沟通均须经本公司明确授权。未经授权擅自复制或传播者，本公司保留追究法律责任。 未经授权擅自复制或传播者，本公司保留追究法律责任。