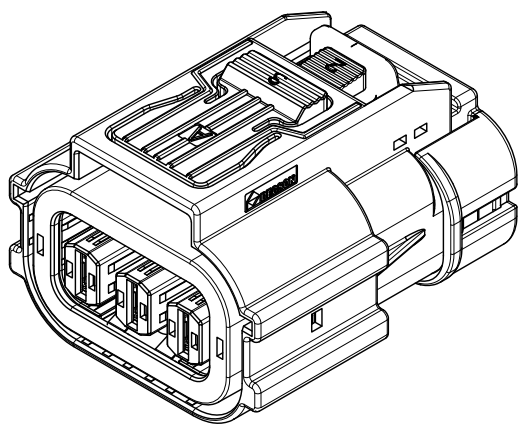
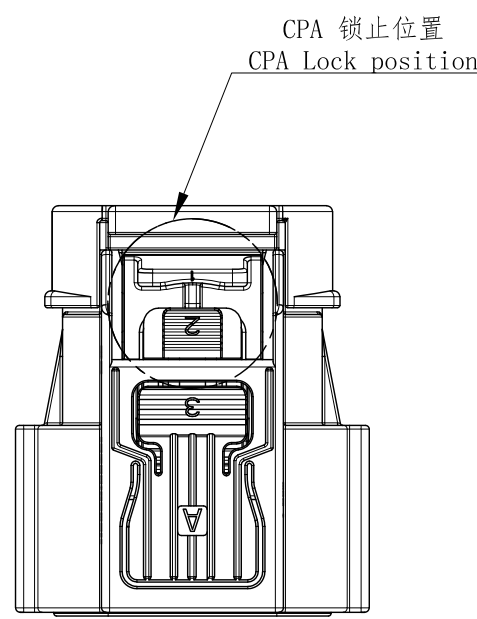
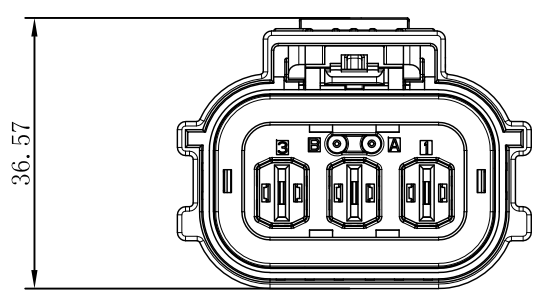
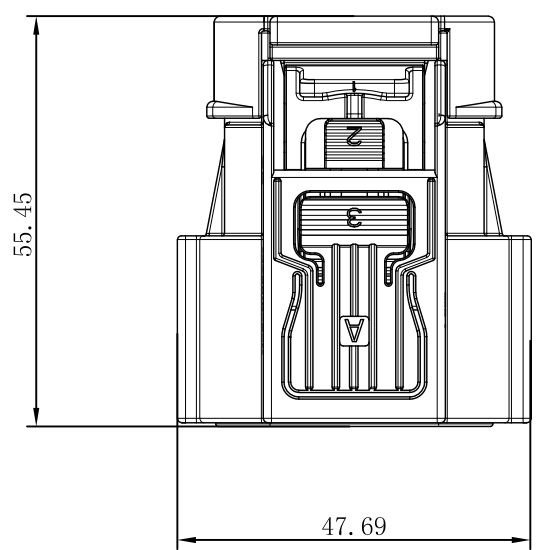


客户图
Drawings for customers

未注公差参照/General tolerances according to(mm): ISO2768-1 C							
>0.5*3	> 3*6	> 6*30	> 30*120	> 120*400	>400*1000	>1000*2000	>2000*4000
±0.2	±0.3	±0.5	±0.8	±1.2	±2	±3	±4

名称 Name	3芯630插头总成CodeA 3 PIN 630 Plug Assy -CodeA	3芯630插头总成CodeB 3 PIN 630 Plug Assy -CodeB	3芯630插头总成CodeC 3 PIN 630 Plug Assy -CodeC	3芯630插头总成CodeD 3 PIN 630 Plug Assy -CodeD	3芯630插头总成CodeE 3 PIN 630 Plug Assy -CodeE
键位 Code	A	B	C	D	E
键位示意图 Different code view					
对插型号 Matching type	DBYR-03A63-CXX (3芯630-插座总成 CodeA)	DBYR-03B63-CXX (3芯630-插座总成 CodeB)	DBYR-03C63-CXX (3芯630-插座总成 CodeC)	DBYR-03D63-CXX (3芯630-插座总成 CodeD)	DBYR-03E63-CXX (3芯630-插座总成 CodeE)



产品图
product view

技术要求 Technical specification:
 1、性能参数 Performance parameter:
 a、工作温度 Temperature Range: -40℃~125℃
 b、额定工作电压 Working Voltage: 1000V DC
 c、额定工作电流 Current Capability:
 32A Max@4mm² 40A Max@6mm²
 d、工作海拔 Altitude: 5000M
 e、绝缘电阻 Insulation resistance: >200MΩ 1000V DC
 f、耐电压 Withstand voltage: <5mA 1min 3000V AC
 g、防护等级 Class of protection: IP68、IP6K9K、IPXXB
 2、法律法规 Laws and regulations
 ★a、产品符合阻燃要求;
 a、The product meets the flame retardant requirements;
 ★b、环保要求 : RoHS 2.0
 b、Environmental protection requirement: RoHS 2.0

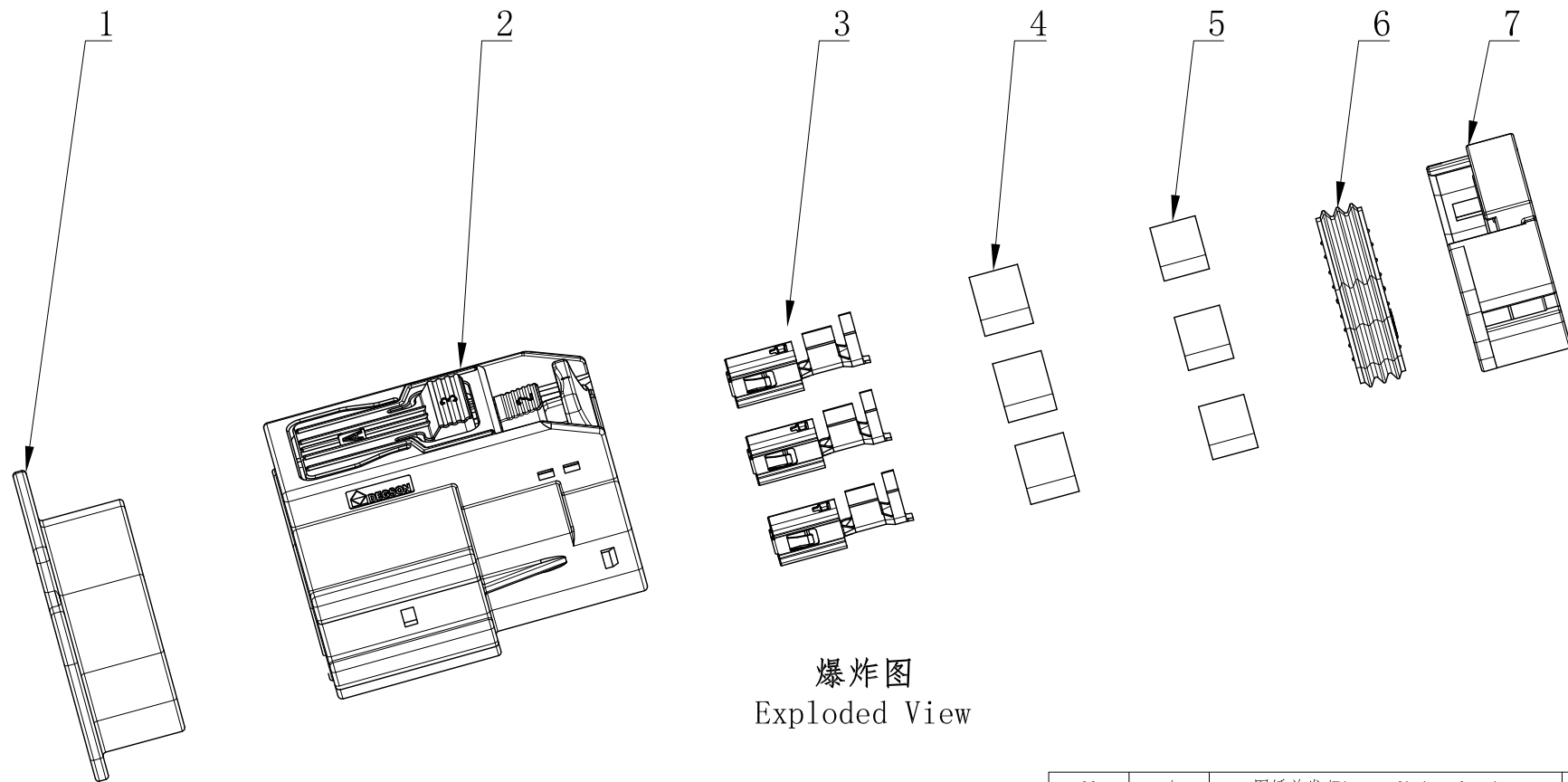
00	/	图纸首发/First edition drawing	陈自发	2024-06-15
图纸版本	ECN	变更描述	设计人	设计日期
REV	ECN	DESCRIPTION	DRFT	DATE

			材料/MATERIAL: /	表面效果/SURFACE: /
			料号/PN: 2604000021	样品状态/MAT STATUS: /
批准/APPD 梁东 2024-06-15	审核/CHKD 李京乐 2024-06-15	制图/DRFT 陈自发 2024-06-15	名称/NAME: 3芯630插头总成 3 PIN 630 Plug Assy	
版本/REV 00	客户图纸/Custom drawing	类型/TYPE	图纸状态/DRAWING STATUS	比例/SCALE 1:1 页数/SHEET 1/2

Transfer or duplication of this document as well as the utilization or communication of its contents are prohibited unless explicit authorization is granted. Violations will be liable for compensation. All rights reserved for patent, utility model or design registrations. 除非经书面授权，否则禁止转让、复制、引用、交流和文件传播。未经授权擅自传播或泄露信息，本公司保留追究法律责任。 实用新型专利/外观设计专利/发明专利。

客户图 Drawings for customers

DBYS-03E63-C06 26040000272	6mm ² 、CodeE、 Shielded connector	1	-	-	-	-	1	3	-	3	-	3	-	1	-	1	7.5±0.3		
DBYS-03D63-C06 26040000268	6mm ² 、CodeD、 Shielded connector	1	-	-	-	1	-	3	-	3	-	3	-	1	-	1	7.5±0.3		
DBYS-03C63-C06 26040000264	6mm ² 、CodeC、 Shielded connector	1	-	-	1	-	-	3	-	3	-	3	-	1	-	1	7.5±0.3		
DBYS-03B63-C06 26040000260	6mm ² 、CodeB、 Shielded connector	1	-	1	-	-	-	3	-	3	-	3	-	1	-	1	7.5±0.3		
DBYS-03A63-C06 26040000017	6mm ² 、CodeA、 Shielded connector	1	1	-	-	-	-	3	-	3	-	3	-	1	-	1	7.5±0.3		
DBYS-03E63-C04 26040000270	4mm ² 、CodeE、 Shielded connector	1	-	-	-	-	1	3	3	-	3	-	1	-	1	-	7.00±0.20		
DBYS-03D63-C04 26040000266	4mm ² 、CodeD、 Shielded connector	1	-	-	-	1	-	3	3	-	3	-	1	-	1	-	7.00±0.20		
DBYS-03C63-C04 26040000262	4mm ² 、CodeC、 Shielded connector	1	-	-	1	-	-	3	3	-	3	-	1	-	1	-	7.00±0.20		
DBYS-03B63-C04 26040000258	4mm ² 、CodeB、 Shielded connector	1	-	1	-	-	-	3	3	-	3	-	1	-	1	-	7.00±0.20		
DBYS-03A63-C04 26040000021	4mm ² 、CodeA、 Shielded connector	1	1	-	-	-	-	3	3	-	3	-	1	-	1	-	7.00±0.20		
物料描述 Product Description	子零件BOM Component BOM	26040000315	26040000294	26040000296	26040000298	26040000300	26040000302	26040000312	26040000323	26040000311	26040000321	26040000309	26040000307	26040000308	26040000305	26040000306	适用线缆外径 Applicable cable diameter (mm)	备注 Note	
		CodeA	CodeB	CodeC	CodeD	CodeE	母端子 Female terminal	4sqmm	6sqmm	4sqmm	6sqmm	4sqmm	6sqmm	4sqmm	6sqmm				
型号/料号 Type /PN		插头防尘盖 Plug Dust Cover	插头壳体组件 Plug Housing Assy						屏蔽外环 Outer Ferrule	屏蔽内环 Inner Ferrule		线缆密封圈 Cable Seal		尾盖 Cap					
		No. 1	No. 2						No. 3	No. 4		No. 5		No. 6		No. 7			



爆炸图
Exploded View

注意 Note:

- 线缆尺寸标准来源于QC/T 1037-2016，如线缆直径与QC/T 1037-2016的不一致，可能会引起装配困难或密封失效；
1、The cable dimensions are provided by the QC/T 1037-2016. If the cable diameter is different from the QC/T 1037-2016, assembly difficulties or seal failures may occur;
- 每横排为装配一套产品所需要的数量。可按最左列成品料号购买，也可单独按子零件料号购买子零件。
2、Each row is the number required to assemble a set of products. It can be purchased by the finished part number in the leftmost column, or it can be purchased separately by the part number of the component.

			材料/MATERIAL: /	表面效果/SURFACE: /
			料号/PN: 26040000021	样品状态/MAT STATUS: /
批准/APPD 梁东 2024-06-15	名称/NAME: 3芯630插头总成			
审核/CHKD 李京乐 2024-06-15	3 PIN 630 Plug Assy			
制图/DRFT 陈自发 2024-06-15	版本/REV 00	类型/TYPE 客户图纸/Customer drawing	图纸状态/DRAWING STATUS /	比例/SCALE 1:1
00 / 图纸首发/First edition drawing	陈自发	2024-06-15	陈自发	2024-06-15
图纸版本 ECN	变更描述		设计人	设计日期
REV ECN	DESCRIPTION		DRFT	DATE

Transfer or duplication of this document as well as the utilization or communication of its contents are prohibited unless explicit authorization is granted. Violations will be liable for compensation. All rights reserved for patent. utility model or design registrations. 除非经书面授权，否则禁止转让、复制、引用、交流本文件的内容。未经授权擅自复制或传播文件内容，公司将依法追究法律责任。 保留所有权利，侵权必究。