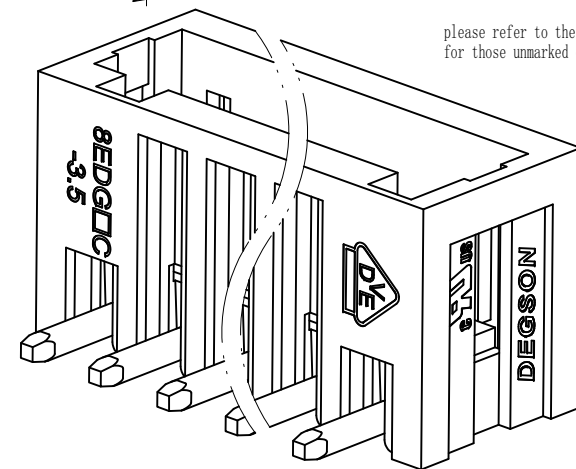
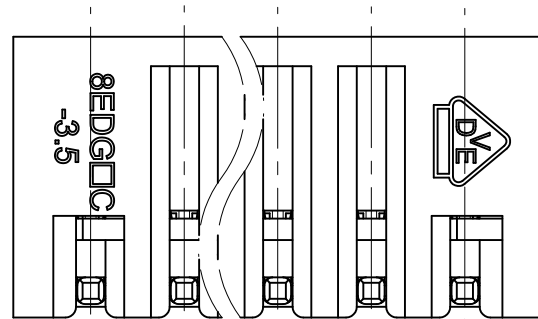
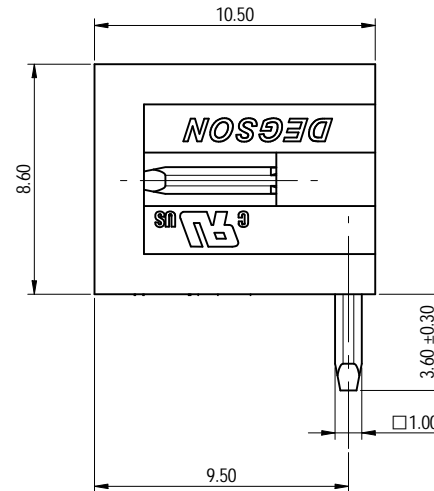
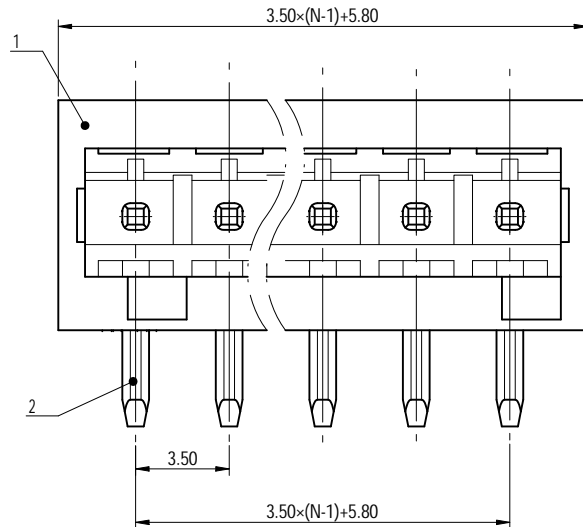
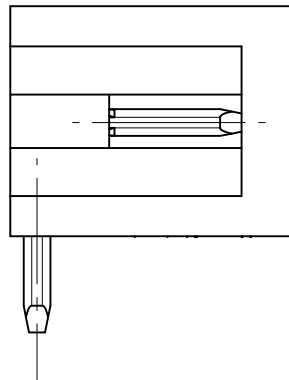
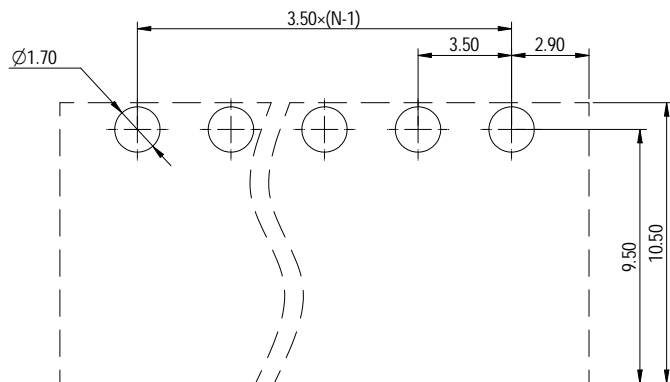


未注公差/General tolerances (mm)													D
0	>3	>6	>10	>18	>30	>50	>80	>120	>180	>250	>315	>400	
~	~	~	~	~	~	~	~	~	~	~	~	~	>500
±0.12	±0.18	±0.22	±0.26	±0.31	±0.37	±0.57	±0.80	±0.93	±1.05	±1.15	±1.60	±2.20	±2.50
													0.1/10
													N
													±2



PCB LAYOUT



Note: The A&Z(H) in the name means:A(H)and Z(H).

ITEM	NAME OF PART	MATERIAL	NOTES
2	Pin header	Copper	Sn Plated
1	Housing	PA66	UL94V-0

UL 标准/UL Standard:	B	C	D
额定电压/电流/Rated Voltage(V)/Current(A)	300/10	/	300/10
IEC 标准/IEC Standard:			
过压类别/Overvoltage Category/污染等级/Pollution Degree	III/3		
额定电压/电流/Rated Voltage(V)/Current(A)	130/10		
额定脉冲电压(KV)/Rate Impulse Voltage(KV)	2.5		
间距/Pitch(mm)/线数范围/Poles	3.50/N=02~24P		
使用温度范围/Operating temperature(°C)	-40~+105		
符合RoHS环保要求/Conform to RoHS	Yes		

DEGSON		MATERIAL:		SURFACE/COLOR: PANTONE 428C	
APPD:	NAME	MAT NO./REV:	DATE	MAT STATUS:	批号
蓝美凡	2022.11.11	-	/00		
曹利彬	2022.11.09	8EDGRC-3.5-XXP-11-01A&Z(H)			
姜民浩	2022.11.09				
DRAWING NO.		TYPE		DRAWING STATUS	
200119736		CUSTOMER DRAWING		已发布	
SCALE		SHEET			
5:1		1/1			

REV	ECN	DESCRIPTION	DRFT	DATE
00			姜民浩	2022.11.09

Transfer or duplication of this document as well as the utilization or reproduction of its contents without the written permission of DEGSON is prohibited. All rights reserved for patent. 本文件及其中所载之技术内容，未经DEGSON书面许可，不得擅自复制或传播。DEGSON保留所有权利。如有侵权，DEGSON将依法追究法律责任。