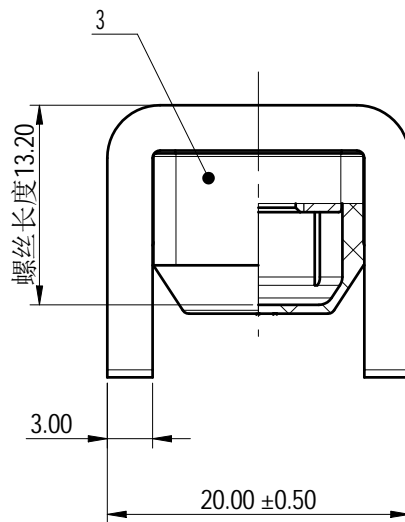
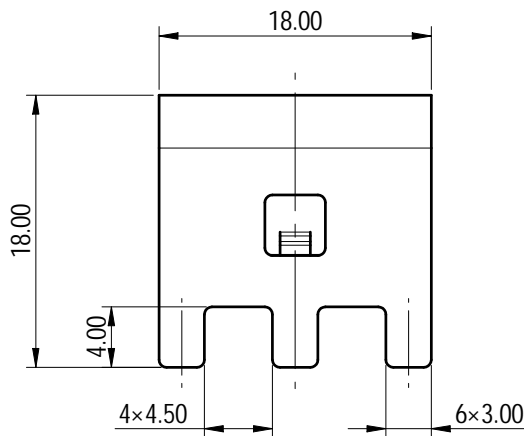
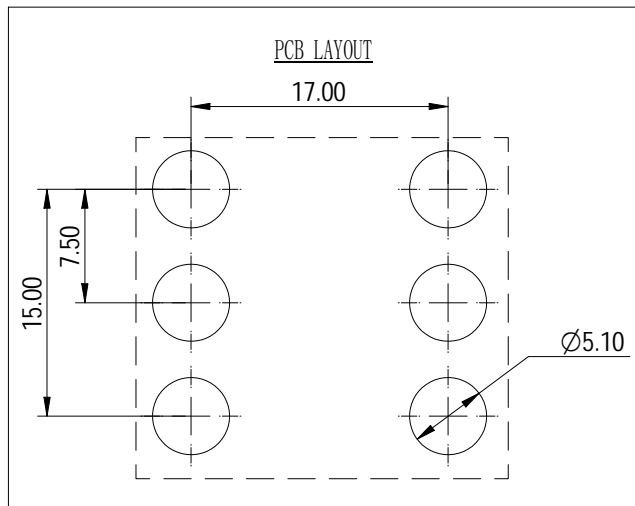
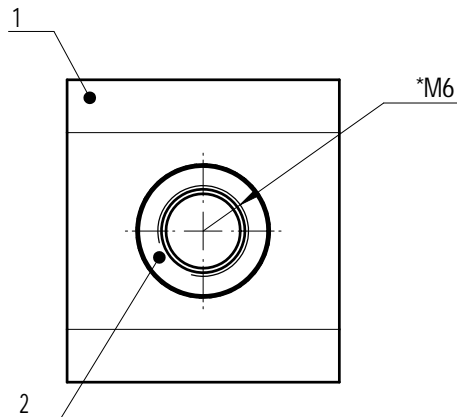


Transfer or duplication of this document as well as the utilization or communication of its contents are prohibited unless explicitly authorized in writing by DEGSON. All rights reserved for patent. 任何未经许可的复制或传播都是非法的。DEGSON 保留所有权利。未经授权，不得复制或传播本文件的内容。除特别声明外，本文件的所有权均归 DEGSON 公司所有。



未注公差/General tolerances (mm)												0.1/10		
0 ~ 3	>3 ~ 6	>6 ~ 10	>10 ~ 18	>18 ~ 30	>30 ~ 50	>50 ~ 80	>80 ~ 120	>120 ~ 180	>180 ~ 250	>250 ~ 315	>315 ~ 400		>400 ~ 500	>500
±0.12	±0.18	±0.22	±0.26	±0.31	±0.37	±0.57	±0.80	±0.93	±1.05	±1.15	±1.60	±2.20	±2.50	±2'

Note: The A&Z(H) in the name means: A(H) and Z(H).

3	Housing	LCP	UL94V-0
2	Nut	Steel	Zn Plated
1	Pin header	Copper	Sn Plated
ITEM	NAME OF PART	MATERIAL	NOTES
额定电流/Rated Current(A)			250A
螺丝扭矩/Torque Tightening(N·m/Lb.in)			M6, 1.98/18.0
符合RoHS环保要求/Conform to RoHS			Yes

		MATERIAL:	SURFACE/COLOR:		
APPD: 蓝贵凡 2023.11.09		MAT NO./REV: 10900000313-1 / 00		MAT STATUS: 小批量	
CHKD: 曹利彬 2023.11.09		NAME			
DRFT: 姜民洁 2023.11.09		K41-22A&Z(H)			
REV	ECN	DESCRIPTION	DRFT	DATE	SCALE
02		修改整件材料	姜民洁	2023.11.09	2:1
		DRAFTING NO. 200197067		TYPE CUSTOMER DRAWING	DRAWING STATUS 已发布
		A4		SCALE 2:1	SHEET 1/1

REV	ECN	DESCRIPTION	DRFT	DATE
02		修改整件材料	姜民洁	2023.11.09