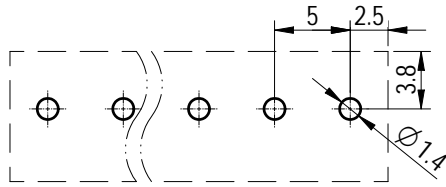
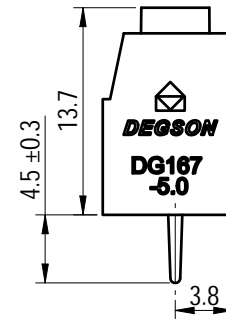
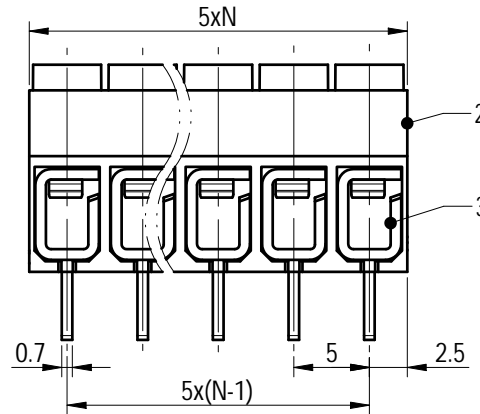
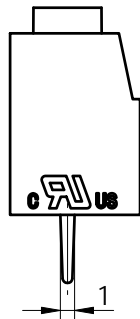
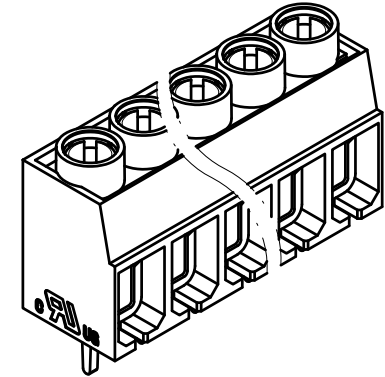
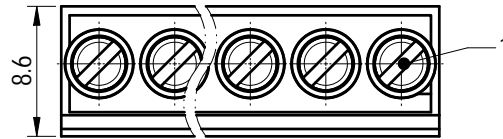


PCB LAYOUT



未注公差/General tolerances (mm)													0.1/10 ±2'
0	>3	>6	>10	>18	>30	>50	>80	>120	>180	>250	>315	>400	
~3	~6	~10	~18	~30	~50	~80	~120	~180	~250	~315	~400	~500	
±0.12	±0.18	±0.22	±0.26	±0.31	±0.37	±0.57	±0.80	±0.93	±1.05	±1.15	±1.60	±2.20	±2.50

UL 标准/UL Standard:	B	C	D
额定电压/电流/Rated Voltage(V)/Current(A)	300/15	/	300/10
IEC 标准/IEC Standard:			
过压类别/Overvoltage Category/污染等级/Pollution Degree	III/3	III/2	II/2
额定电压/电流/Rated Voltage(V)/Current(A)	/	250/22	/
工频耐压/Withstand voltage(V/1Min)	AC2000		
螺丝扭矩/Torque Tightening(N·m/Lb.in)	M2.5, 0.29/2.6		
线径范围(硬线和软线)/Wire Range(rigid and flexible)(AWG/mm²)	22~12 / 0.5~2.5		
间距/Pitch(mm)/线数范围/Poles	5.0/N=02~12P		
剥线长度/Stripping length(mm)	6~7		
使用温度范围/Operating temperature(°C)	-40~+105		
符合RoHS环保要求/Conform to RoHS	Yes		



Note:
The A&Z(H) in the name means: A(H) and Z(H).

ITEM	NAME OF PART	MATERIAL	NOTES
3	Pin	Copper alloy	Sn Plated
2	Housing	PA66	UL94V-0
1	Screw	Steel	M2.5/Zn plated

		MATERIAL: /	SURFACE/COLOR: /	
		MAT NO./REV: - / 00	MAT STATUS: 批量	
APPD: 兰春华	2022.12.26	NAME		
CHKD: 陈招	2022.12.21	DG167-5.0-XXP-1Y-00A&Z(H)		
DRFT: 柳学龙	2022.12.20	DRAWING NO. 200025252	TYPE CUSTOMER DRAWING	DRAWING STATUS 已发布
		SCALE 2:1	SHEET 1/1	

REV	ECN	DESCRIPTION	DRFT	DATE
00			柳学龙	2022.12.20

Transfer or duplication of this document as well as the utilization or communication of its contents are prohibited unless authorized in writing by DEGSON. All rights reserved for patent. 除专利等明确标注外，其他内容均受版权保护。未经授权，禁止复制或传播。 凡在本文件中所涉及之内容，均受版权保护及发明权。 未经授权，禁止复制或传播。