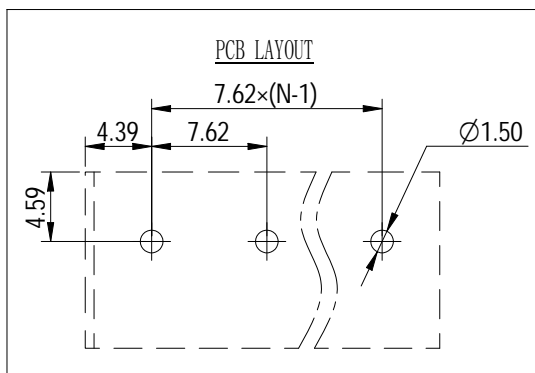
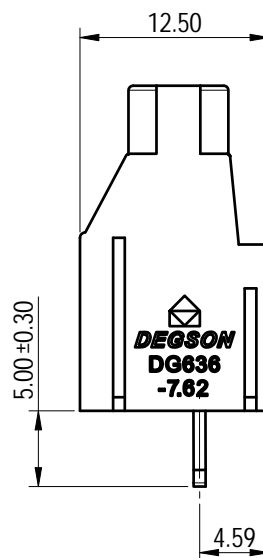
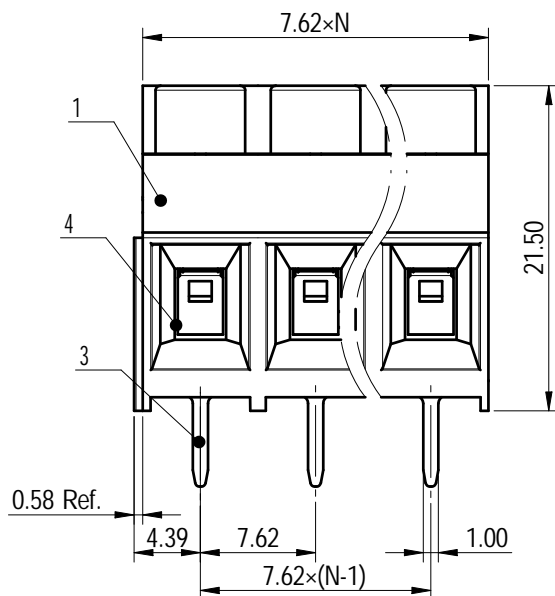
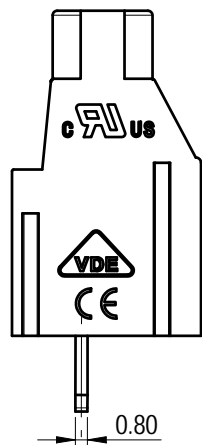
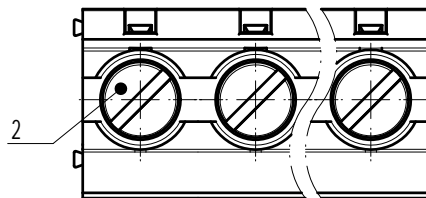


未注公差/General tolerances (mm)												0.1/10	
0	>3	>6	>10	>18	>30	>50	>80	>120	>180	>250	>315		>400
~3	~6	~10	~18	~30	~50	~80	~120	~180	~250	~315	~400	~500	>500
±0.12	±0.18	±0.22	±0.26	±0.31	±0.37	±0.57	±0.80	±0.93	±1.05	±1.15	±1.60	±2.20	±2.50



Note: The A&Z (H) in the name means: A (H) and Z (H).

ITEM	NAME OF PART	MATERIAL	NOTES
4	Cage	Copper alloy	Ni Plated
3	Pin header	Copper alloy	Sn Plated
2	Screw	Steel	Zn Plated
1	Housing	PA66	UL94V-0

UL 标准/UL Standard:	B	C	D
额定电压/电流/Rated Voltage(V)/Current(A)	300/30	/	300/10
IEC 标准/IEC Standard:			
过压类别/Overvoltage Category/污染等级/Pollution Degree	III/3	III/2	II/2
额定电压/电流/Rated Voltage(V)/Current(A)	/	630/32	/
额定脉冲电压(KV)/Rate Impulse Voltage(KV)	/	3	/
螺丝扭矩/Torque Tightening(N·m/Lb.in)	M3, 0.5/4.43		
线径范围(硬线和软线)/Wire Range(rigid and flexible)(AWG/mm²)	0.2~4.0(str) 0.2~6.0(sol)/26~10		
间距/Pitch(mm)/线数范围/Poles	7.62/N=02~16P		
剥线长度/Stripping length(mm)	8~9		
使用温度范围/Operating temperature(°C)	-40~+105		
符合RoHS环保要求/Conform to RoHS	Yes		

DEGSON		MATERIAL:	SURFACE/COLOR:		
MAT NO./REV: - / 00		MAT STATUS: 批量			
APPD: 蓝贵凡	2022.11.28	NAME			
CHKD: 曹利彬	2022.11.28	DG636-7.62-XXP-1Y-00A&Z(H)			
DRFT: 委民洁	2022.11.28	DRAWING NO.	TYPE	DRAWING STATUS	SCALE
A4		200123374	CUSTOMER DRAWING	已发布	2:1
					SHEET
					1/1

REV	ECN	DESCRIPTION	DRFT	DATE
00				

Transfer or duplication of this document as well as the utilization or communication of its content are prohibited unless authorization is granted. Violations will be held for compensation. All rights reserved for patent, utility model or design registrations. 除专利权明确标注外, 复制、引用、交流本文件的内容, 未经事先获得许可, 擅自复制或传播, 公司将保留追究法律责任的权利。