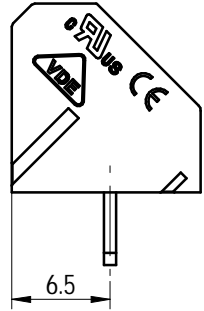
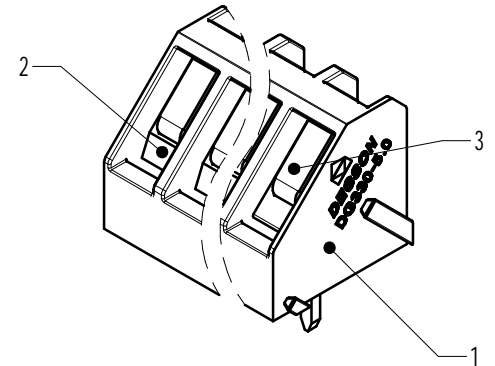
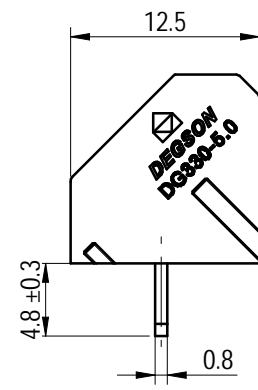
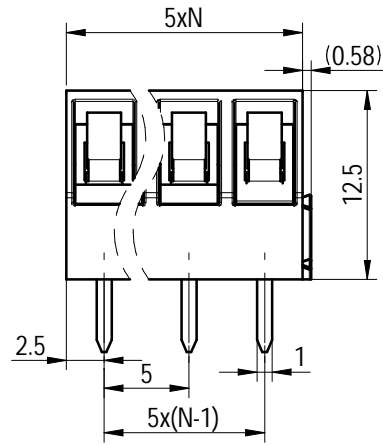
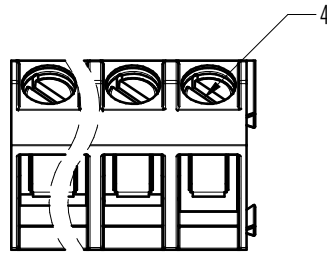


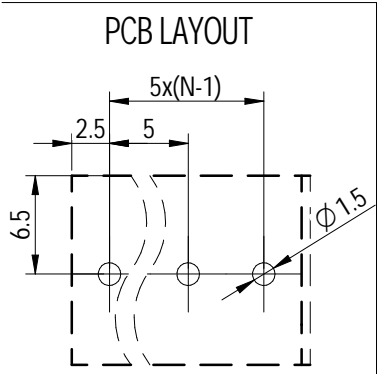
未注公差/General tolerances (mm)													0.1/10 ±2'
0	>3	>6	>10	>18	>30	>50	>80	>120	>180	>250	>315	>400	
~3	~6	~10	~18	~30	~50	~80	~120	~180	~250	~315	~400	~500	>500
±0.12	±0.18	±0.22	±0.26	±0.31	±0.37	±0.57	±0.80	±0.93	±1.05	±1.15	±1.60	±2.20	±2.50



Note:  
The A&Z(H) in the name means:A(H) and Z(H)

ITEM	NAME OF PART	MATERIAL	NOTES
4	Screw	Steel	M2.5/Zn_plated
3	Pin_header	Copper alloy	Sn_plated
2	Cage	Copper alloy	M2.5/Ni_plated
1	Housing	Nylon	UL94V-0

UL 标准/UL Standard:	B	C	D
额定电压/电流/Rated Voltage(V)/Current(A)	300/15	/	300/10
IEC 标准/IEC Standard:			
过压类别/Overtoltage Category/污染等级/Pollution Degree	III/3	III/2	II/2
额定电压/电流/Rated Voltage(V)/Current(A)	/	250/24	/
工频耐压(V/1Min)/Withstanding voltage(V/1Min)	AC2000		
螺丝扭矩/Torque Tightening(N·m/Lb.in)	M2.5: 0.4/3.54		
线径范围(硬线和软线)/Wire Range(rigid and flexible)(AWG)	22~12 / 0.5~2.5		
间距/Pitch(mm)/线数范围/Poles	5.0/N=02~24P		
剥线长度/Stripping length(mm)	4~5		
使用温度范围/Operating temperature(°C)	-40~+105		
符合RoHS环保要求/Conform to RoHS	Yes		



<b>DEGSON</b>		MATERIAL:	SURFACE/COLOR:		
APPD: David	2022.12.08	MAT NO./REV:	/ 00		
CHKD: David	2022.12.08	NAME	DG330-5.0-XXP-1Y-00A&Z(H)		
DRFT: 曹心一	2022.12.08	DRAWING NO.	200123619	TYPE	CUSTOMER DRAWING
REV	ECN	DESCRIPTION	DRFT	DATE	DRAWING STATUS
00			曹心一	2022.12.08	已发布
		A4		SCALE	2:1
		(inch)		SHEET	1/1

Transfer or duplication of this document as well as the utilization or communication of its contents are prohibited unless authorized in writing by Degson. All rights reserved for patent. 未经授权复制或传播本文件内容，或在本文件内容基础上进行设计、开发、制造、销售、使用、充注本文件的存储、搬运等行为均属于侵权行为。 未经授权复制或传播本文件内容，或在本文件内容基础上进行设计、开发、制造、销售、使用、充注本文件的存储、搬运等行为均属于侵权行为。