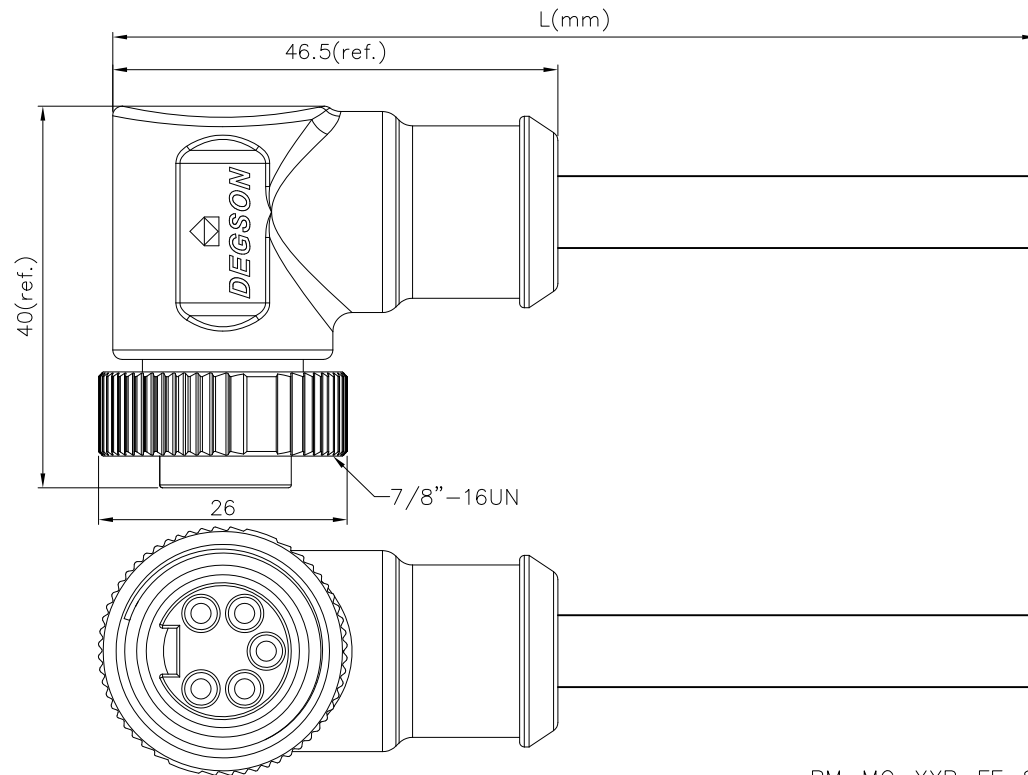


REVISION RECORD

REV	ECN	DESCRIPTION	DRFT	DATE
-----	-----	-------------	------	------



NOTES:

- Rated voltage/current : 5pin : 300V / 9A
4pin : 300V / 13A
3pin : 300V / 13A
- Withstanding voltage : 5pin: AC1600V/1Min
4pin: AC1600V/1Min
3pin: AC1600V/1Min
- Levels of protection: IP68
- Cable specifications :
5pin: 5C*16AWG,UL2586/UL20939
4pin: 4C*16AWG,UL2586/UL20939
3pin: 3C*16AWG,UL2586/UL20939
- Wire connection mode: soldering
- Operating temperature: PVC Cable: -25°C~+85°C
PUR Cable: -25°C~+80°C
- RoHS Compliance
- Tolerance : ±0.5mm

PM-MC-XXP-FF-SR8XXX-00A(H)

Pin number: 03,04,
05

Cable jacket:
A: PVC UL2586;
B: PUR UL20939

Cable length L:
01: 1M
...
99: 99M
The line grows business trip:
01~05m: ± 50mm
06~10m: ± 100mm
11~30m: ± 200mm
31~99m: ± 500mm

Conn1

5pin		4pin		3pin	
Pin Assignments Front View		Pin Assignments Front View		Pin Assignments Front View	
5	White	4	White	3	Blue
4	Brown	3	Brown	2	Brown
PE	Green/yellow	1	Black	PE	Green/yellow
2	Blue	Pin	Wire Color	Pin	Wire Color
1	Black	Pin	Wire Color	Pin	Wire Color
Pin	Wire Color	Pin	Wire Color	Pin	Wire Color
Pin Out		Pin Out		Pin Out	

DETACHED LISTS	PART NO.: /	宁波高松电子有限公司 NINGBO DEGSON ELECTRICAL CO., LTD		
	APPD:	NAME: PM-MC-XXP-FF-SR8XXX-00A(H)		
	CHKD:	TITLE: CUSTOMER DRAWING		
	DRFT: YJH 2020.07.27	REV	D0-1	
	 THIRD ANGLE PROJECTION	DRAWING NO.: XXXXXXX-XX-CXX	SHEET	1/1
	MM (INCH)	DO NOT SCALE DRAWING	SCALE 1:1	