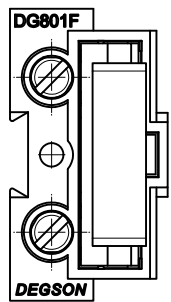
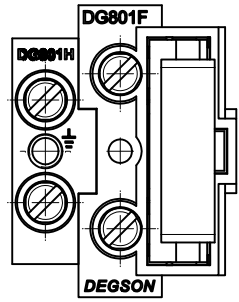


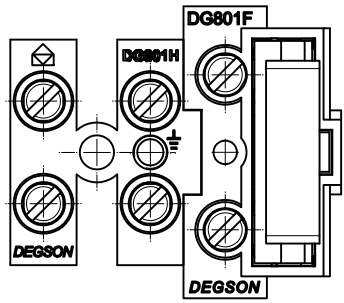
未注公差 (General Tolerances)(mm)											D			
>3	>3	>6	>10	>18	>30	>50	>80	>120	>180	>250				
~3	~6	~10	~18	~30	~50	~80	~120	~180	~250	~315	~400	~500	~500	0.1/10
±0.15	±0.15	±0.22	±0.28	±0.31	±0.37	±0.57	±0.80	±0.93	±1.05	±1.15	±1.60	±2.20	±2.50	±2



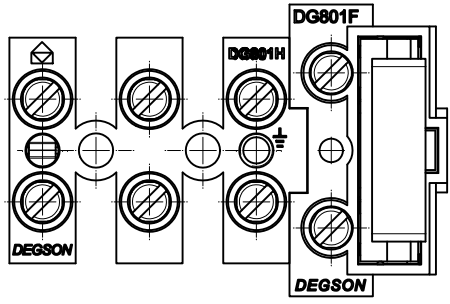
01P



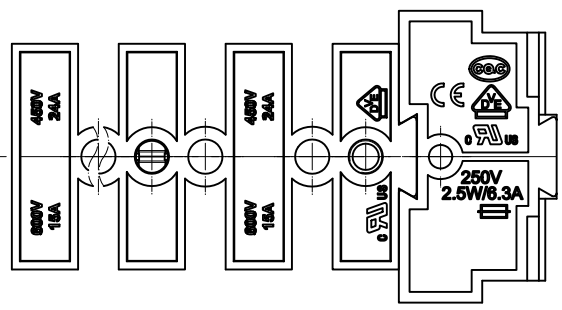
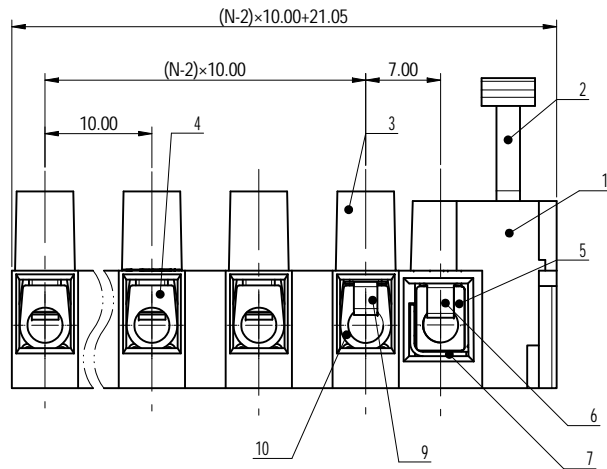
02P



03P



04P



Note: The A&Z (H) in the name means: A(H) and Z (H).

ITEM	NAME OF PART	MATERIAL	NOTES	
10	Cage2	Copper alloy	Ni Plated	
9	Spring2	Stainless steel	/	
8	Screw	Steel	Zn Plated	
7	Clamp	Copper alloy	Ni Plated	
6	Spring1	Stainless steel	/	
5	Cage1	Copper alloy	Ni Plated	
4	Current carrier	Steel+Copper alloy	Ni Plated	
3	Housing3	PA66	UL94V-0	
2	Housing2	PA66	UL94V-0	
1	Housing1	PA66	UL94V-0	
UL 标准/UL Standard:		B	C	D
额定电压/电流/Rated Voltage(V)/Current(A)(DG801F)		300/6.3	/	300/10
UL 标准/UL Standard:		B	C	D
额定电压/电流/Rated Voltage(V)/Current(A)(DG801H)		600/15	/	600/5
IEC 标准/IEC Standard:				
过压类别/Overtoltage Category/污染等级/Pollution Degree		III/3	III/2	II/2
额定电压/电流/Rated Voltage(V)/Current(A)(DG801F)		250/6.3	/	/
IEC 标准/IEC Standard:				
过压类别/Overtoltage Category/污染等级/Pollution Degree		III/3	III/2	II/2
额定电压/电流/Rated Voltage(V)/Current(A)(DG801H)		450/24	/	/
螺丝扭矩/Torque Tightening(N·m/Lb.in)		M3_0.5/4.43		
线径范围(硬线和软线)/Wire Range(rigid and flexible)(AWG/mm ²)		22~14 / 0.5~2.5		
间距/Pitch(mm)/线数范围/Poles		10.00/N=01~05P		
剥线长度/Stripping length(mm)		6~7		
使用温度范围/Operating temperature(°C)		-40~+105		
符合RoHS环保要求/Conform to RoHS				Yes

DEGSÓN	MATERIAL:	SURFACE/COLOR:	
	MAT. NO./REV:	- / 00	MAT STATUS: 批量

APPD:	蓝美凡	2023.05.25	NAME	DG801-XXP-1Y-00A&Z(H)		
CHKD:	曹利影	2023.05.25	DRAWING NO.	200043121	TYPE	CUSTOMER DRAWING
DRFT:	蓝美洁	2023.05.25	DRAWING STATUS	已发布	SCALE	1:1
REV			DATE	SHEET		
02	ECN	DESCRIPTION	DRFT	DATE	1/1	

02	ECN	DESCRIPTION	DRFT	DATE	SHEET	
REV	ECN	DESCRIPTION	DRFT	DATE	1/1	

Transfer or duplication of this document as well as the information contained herein is prohibited without the prior written consent of DEGSÓN. All rights reserved. 复制或再行发布此文件以及其中所包含的信息，除非事先获得德士昂的书面许可，否则是严格禁止的。保留所有权利。