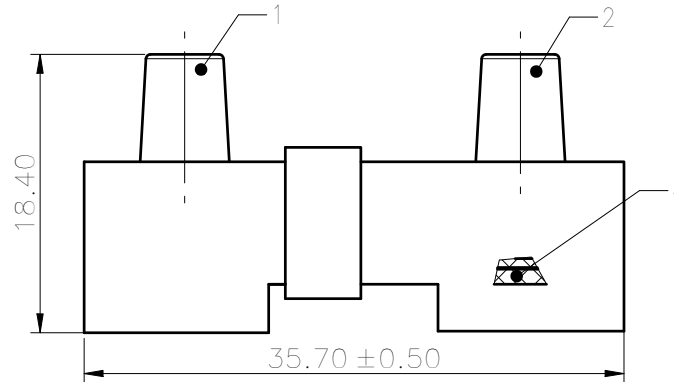
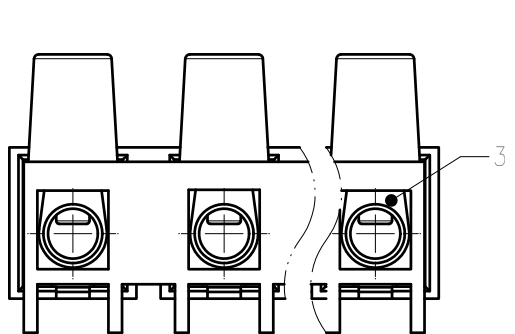
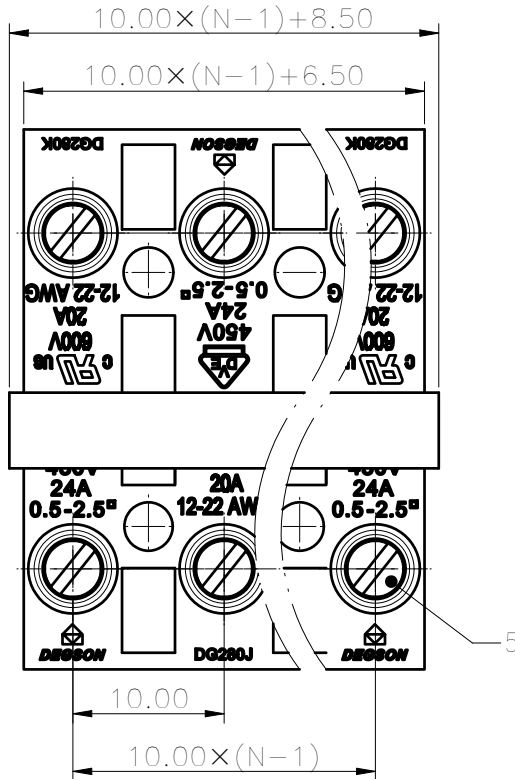


未注公差/General tolerances(mm)											0.1/10 ±2'		
0 ~ 3	>3 ~ 6	>6 ~ 10	>10 ~ 18	>18 ~ 30	>30 ~ 50	>50 ~ 80	>80 ~ 120	>120 ~ 180	>180 ~ 250	>250 ~ 315		>315 ~ 400	>400 ~ 500
±0.12	±0.18	±0.22	±0.26	±0.31	±0.37	±0.57	±0.80	±0.93	±1.05	±1.15	±1.60	±2.20	±2.50



Note: The A&Z(H) in the name means: A(H) and Z(H).

ITEM	NAME OF PART	MATERIAL	NOTES
5	Screw	Steel	Zn Plated
4	Socket	Copper alloy	Ni Plated
3	Plug	Copper alloy	Ni Plated
2	Housing2	PA66	UL94V-2
1	Housing1	PA66	UL94V-2

UL 标准/UL Standard:	B	C	D
额定电压/电流/Rated Voltage(V)/Current(A)	600/20	600/20	600/5
IEC 标准/IEC Standard:			
过压类别/Overvoltage Category/污染等级/Pollution Degree	III/3	III/2	II/2
额定电压/电流/Rated Voltage(V)/Current(A)	/	450/24	/
额定脉冲电压(KV)/Rate Impulse Voltage(KV)	/	2.5	/
螺丝扭矩/Torque Tightening(N·m/Lb.in)	M3, 0.5/4.43		
线径范围(硬线和软线)/Wire Range(rigid and flexible)(AWG/mm²)	22~12 / 0.5~2.5		
间距/Pitch(mm)/线数范围/Poles	10/N=02~04P		
剥线长度/Stripping length(mm)	7~8		
使用温度范围/Operating temperature(°C)	-40~+105		
符合 RoHS 环保要求/Conform to RoHS	Yes		
插拔力/insertion and pull-out force	插入力: 8N~13N/P; 拔出力: 2N~6N/P		

DEGSON		MATERIAL:	SURFACE:
APPD: 蓝贵凡	2024.04.01	MAT NO./REV: / 00	MAT STATUS: 批量
CHKD: 曹利彬	2024.04.01	NAME	
DRFT: 孙科豪	2024.04.01	DG280-XXP-1Y-00A&Z(H)	
REV	ECN	DRAWING NO. 200024954	TYPE CUSTOMER DRAWING
DESCRIPTION		DRAWING STATUS 已发布	SCALE 2:1
DRFT	DATE	SHEET 1/1	

Transfer or duplication of this document as well as the utilization or communication of its contents are prohibited unless authorized. All rights reserved for patent, utility model or design registrations. 非经书面授权, 复制或转授, 否则禁止转让、复制、利用、交流本文档内容。一经发现侵权, 侵权者将承担法律责任。本公司保留对涉及发明、实用新型和外观设计的所有权利。