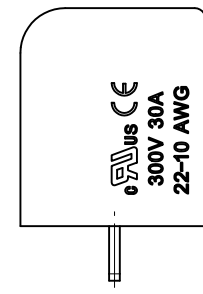
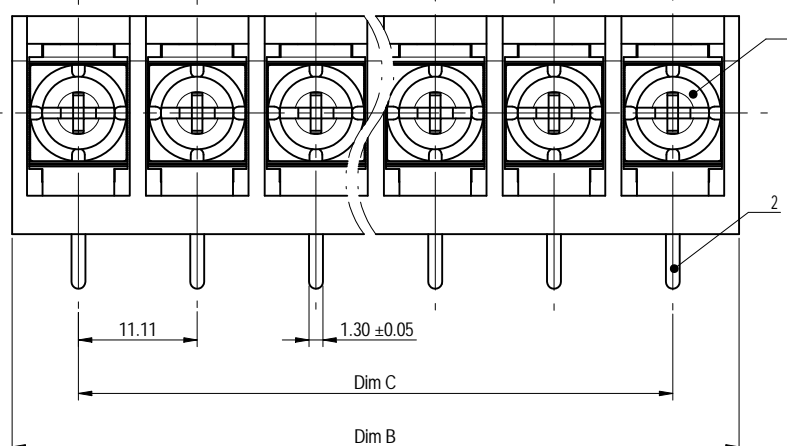
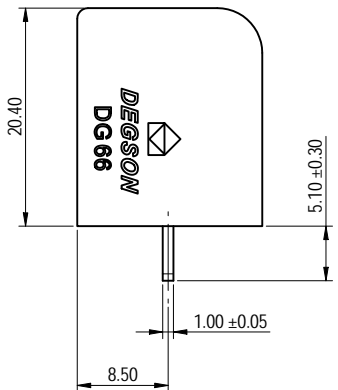
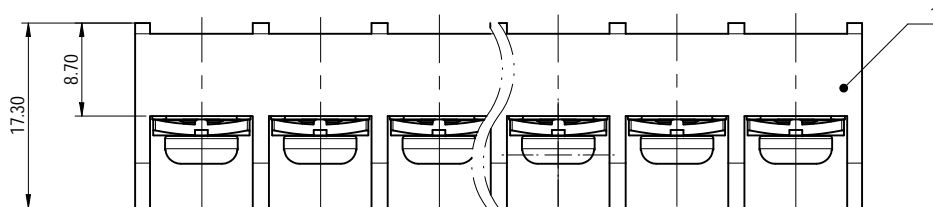


公差 (General tolerances (mm))													D	
0	>3	>6	>10	>18	>30	>50	>80	>120	>180	>250	>315	>400		>500
±0.12	±0.18	±0.22	±0.26	±0.31	±0.37	±0.57	±0.80	±0.93	±1.05	±1.15	±1.60	±2.20	±2.50	0.1/10
													±2	

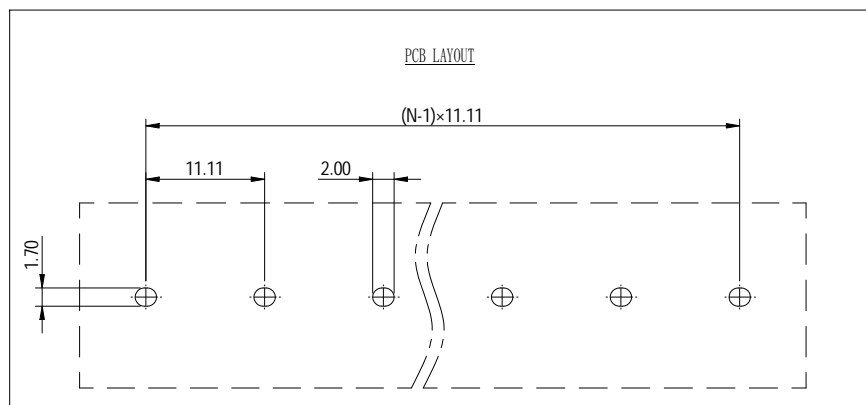


Dimension

B	N×11.11+1.29
C	(N-1)×11.11

N=Number Of Concats

	Dim B	Dim C	⌒
02-06P	±0.30	±0.30	±0.15
07-10P	±0.50	±0.50	±0.20
11-16P	±0.70	±0.70	±0.70
17-20P	±0.90	±0.90	±1.00
21-26P	±1.10	±1.10	±1.20



Note: The A&Z(H) in the name means: A(H) and Z(H).

ITEM	NAME OF PART	MATERIAL	NOTES	
3	Screw	Steel	Ni Plated	
2	Pin header	Copper alloy	Sn Plated	
1	Housing	PA66	UL94V-0	
UL 标准/UL Standard:		B	C	D
额定电压/电压/Rated Voltage(V)/Current(A)		300/30	300/30	300/10
IEC 标准/IEC Standard:				
额定电压/电压/Rated Voltage(V)/Current(A)		450/41		
螺丝扭矩/Torque Tightening(N·m/Lb.in)		M4: 1.2/10.63		
线径范围(硬线和软线)/Wire Range(rigid and flexible)(AWG/mm ²)		22~10 / 6		
间距/Pitch(mm)/线数范围/Poles		11.11/N=02~26P		
使用温度范围/Operating temperature(°C)		-40~+105		
符合RoHS环保要求/Conform to RoHS		Yes		

DEGSON MATERIAL: SURFACE/COLOR: /00 MAT STATUS: 批量

APPD: 蓝美凡 2024.01.29 NAME: **DC66R-B-XXP-1Y-00A&Z(H)**

CHKD: 曹利影 2024.01.29

DRAFT: 姜民浩 2024.01.29

DRAWING NO. 200250626 TYPE CUSTOMER DRAWING DRAWING STATUS 已发布 SCALE 1:1 SHEET 1/1

REV	ECN	DESCRIPTION	DRAFT	DATE
00				

Transfer or duplication of this document as well as the utilization of its contents without the written permission of DEGSON is prohibited. All rights reserved for patent.