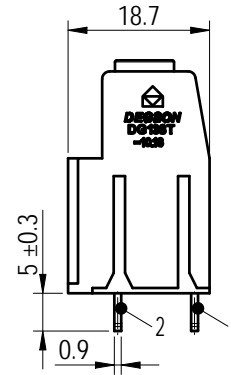
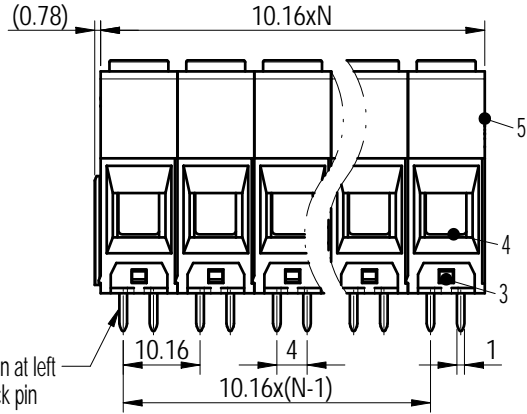
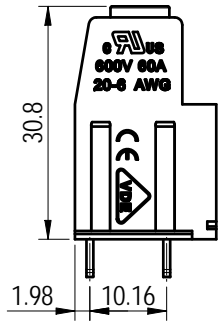
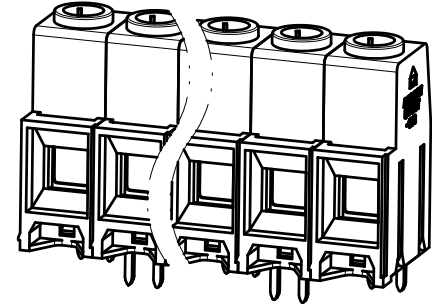
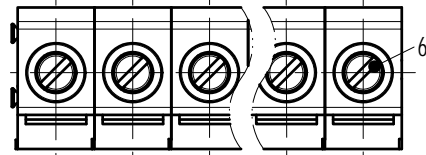


未注公差/General tolerances (mm)													0.1/10
0	>3	>6	>10	>18	>30	>50	>80	>120	>180	>250	>315	>400	
~3	~6	~10	~18	~30	~50	~80	~120	~180	~250	~315	~400	~500	>500
±0.12	±0.18	±0.22	±0.26	±0.31	±0.37	±0.57	±0.80	±0.93	±1.05	±1.15	±1.60	±2.20	±2.50



The first pin at left side is back pin

Note: The A&Z(H) in the name means: A(H) and Z(H).

ITEM	NAME OF PART	MATERIAL	NOTES
6	Screw	Copper alloy	M4/Ni Plated
5	Housing	PA66	UL94V-0
4	Cage	Copper alloy	M4/Ni Plated
3	Cover	PA66	UL94V-0
2	Pin header 2	Copper	Sn Plated
1	Pin header 1	Copper	Sn Plated

UL 标准/UL Standard:	B	C	D
额定电压/电流/Rated Voltage(V)/Current(A)	600/60	600/60	/
IEC 标准/IEC Standard:			
过压类别/Overvoltage Category/污染等级/ Pollution Degree	III/2		
额定电压/电流/Rated Voltage(V)/Current(A)	1000/76		
工频耐压/Withstanding voltage(V/1Min)	AC3500		
螺丝扭矩/Torque Tightening(N·m/Lb.in)	M4, 1.2/10.53		
线径范围(硬线和软线)/Wire Range(rigid and flexible)(AWG/mm²)	20~6/0.5~16		
间距/Pitch(mm)/线数范围/Poles	10.16/N=02~12P		
剥线长度/Stripping length(mm)	13~14		
使用温度范围/Operating temperature(°C)	-40~+105		
符合RoHS环保要求/Conform to RoHS	Yes		

MATERIAL: -	SURFACE/COLOR:	
MAT NO./REV: - / 00	MAT STATUS: 批量	
APPD: 兰春华 2022.09.23	NAME	
CHKD: 陈招 2022.09.22	DG138T-10.16-XXP-1Y-00A&Z(H)	
DRFT: 袁路易 2022.09.22	DRAWING NO. 200022144	TYPE CUSTOMER DRAWING
DRAWING STATUS 已发布		SCALE 1:1
SHEET 1/1		

REV	ECN	DESCRIPTION	DRFT	DATE
00			袁路易	2022.09.22

Transfer or duplication of this document as well as the utilization or communication of its contents are prohibited unless authorized in advance. Violations will be held for compensation. All rights reserved for patent, utility model or design registrations. 除专利、实用新型、外观设计、软件著作权等权利外，其他权利均归本公司所有。未经本公司事先书面许可，任何单位和个人不得擅自复制或传播。本公司保留追究法律责任的权利。