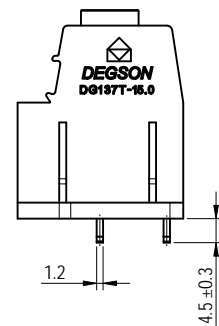
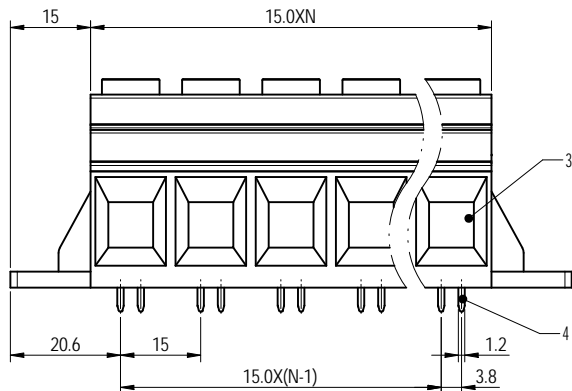
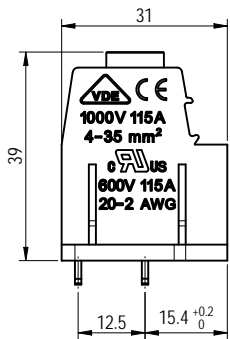
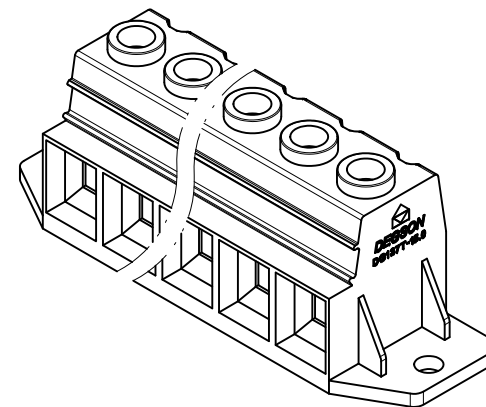
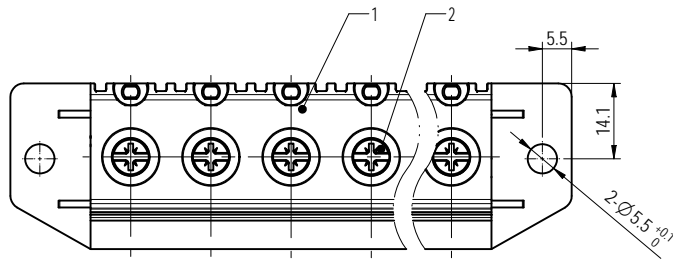
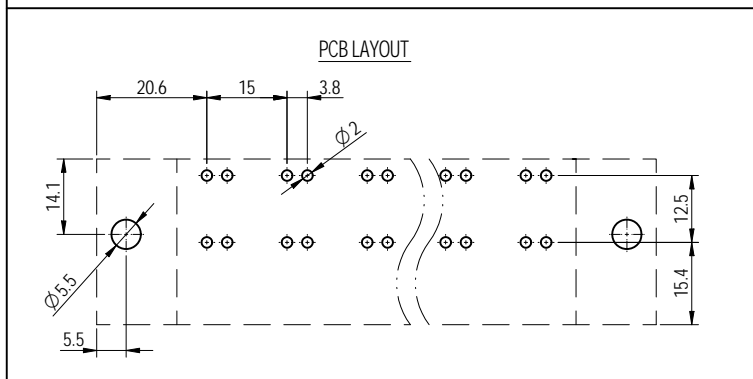


未注公差/General tolerances (mm)													D 0.1/10
0	>3	>6	>10	>18	>30	>50	>80	>120	>180	>250	>315	>400	
±0.12	±0.18	±0.22	±0.26	±0.31	±0.37	±0.57	±0.80	±0.93	±1.05	±1.15	±1.60	±2.20	±2.50



Note:
The A&Z (H) in the name means: A(H) and Z (H).

4	Pin header	Copper	Sn plated
3	Cage	Steel	M5/Zn plated
2	Screw	Steel	M5/Zn plated
1	Housing	PA66	UL94V-0
ITEM	NAME OF PART	MATERIAL	NOTES



UL 标准/UL Standard:	B	C	D
额定电压/电流/Rated Voltage (V)/Current (A)	600/115	600/115	/
IEC 标准/IEC Standard:			
过压类别/Overvoltage Category/污染等级/Pollution Degree	III/3	III/2	II/2
额定电压/电流/Rated Voltage (V)/Current (A)	/	1000/115	/
工频耐压/Withstanding voltage (V/1Min)	/	AC3000	/
螺丝扭矩/Torque Tightening (N·m/Lb.in)	M5: 2.0/1.54		
线径范围(硬线和软线)/Wire Range (rigid and flexible) (AWG/mm²)	20-2/4-35		
间距/Pitch (mm)/线数范围/Poles	15.0/N=02-09P		
剥线长度/Stripping length (mm)	18-19		
使用温度范围/Operating temperature (°C)	-40~+105		
符合RoHS环保要求/Conform to RoHS	Yes		

DEGSON		MATERIAL:	SURFACE/COLOR:	
APPD: 兰春华	2022.09.23	MAT NO./REV:	/ 00	MAT STATUS: 批量
CHKD: 陈超	2022.09.22	NAME: DG137TM-15.0-XXP-1Y-00A&Z(H)		
DRFT: 黄徐涛	2022.09.22	DRAWING NO.	TYPE	DRAWING STATUS
REV	ECN	200029080	CUSTOMER DRAWING	已发布
00		SCALE	1:1	SHEET
				1/1

00			黄徐涛	2022.09.22
REV	ECN	DESCRIPTION	DRFT	DATE

Transfer or duplication of this document as well as the utilization of its contents without the written permission of DEGSON is prohibited. All rights reserved for patent. 未经授权复制或传播本文件以及其内容的使用，未经 DEGSON 书面许可，是严格禁止的。保留所有权利，侵权必究。