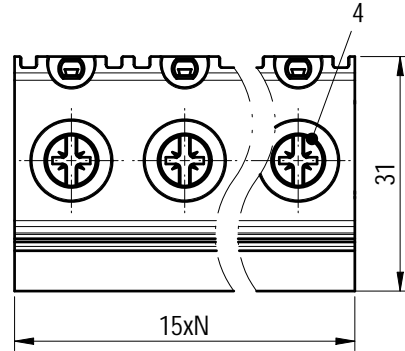
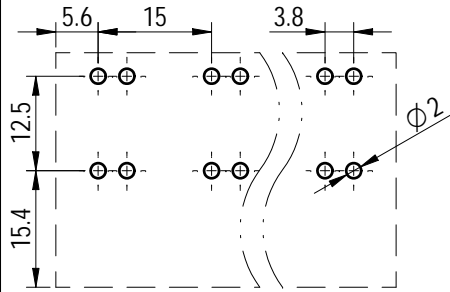
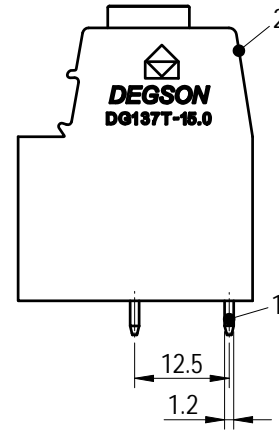
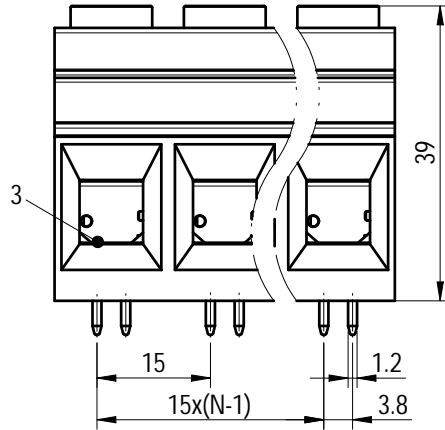
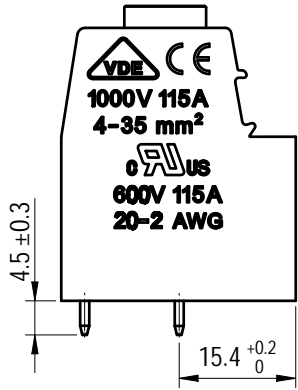
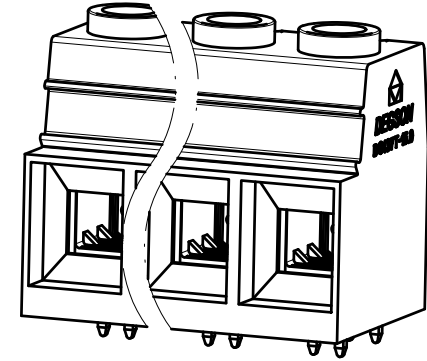


PCB LAYOUT



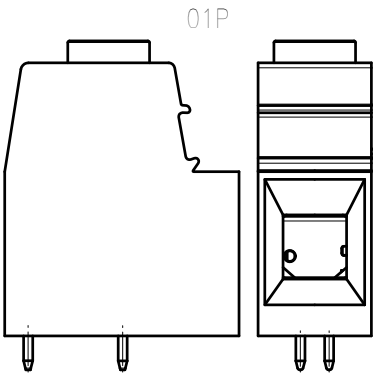
未注公差/General tolerances (mm)													0.1/10
0	>3	>6	>10	>18	>30	>50	>80	>120	>180	>250	>315	>400	
~3	~6	~10	~18	~30	~50	~80	~120	~180	~250	~315	~400	~500	>500
±0.12	±0.18	±0.22	±0.26	±0.31	±0.37	±0.57	±0.80	±0.93	±1.05	±1.15	±1.60	±2.20	±2.50



Note: The A&Z(H) in the name means: A(H) and Z(H).

ITEM	NAME OF PART	MATERIAL	NOTES
4	Screw	Steel	M5/Zn plated
3	Cage	Steel	M5/Zn plated
2	Housing	PA66	UL94V-0
1	Pin header	Copper	Sn plated

UL 标准/UL Standard:	B	C	D
额定电压/电流/Rated Voltage(V)/Current(A)	600/115	600/115	/
IEC 标准/IEC Standard:			
过压类别/Overvoltage Category/污染等级/Pollution Degree	III/3	III/2	II/2
额定电压/电流/Rated Voltage(V)/Current(A)	/	1000/115	/
工频耐压(V)/Withstanding Voltage(V)	/	AC3000	/
螺丝扭矩/Torque Tightening(N · m/Lb.in)		M5, 2/17.54	
线径范围(硬线和软线)/Wire Range(rigid and flexible)(AWG/mm²)		20~2 / 4~35	
间距/Pitch(mm)/线数范围/Poles		15.0/N=01~09P	
剥线长度/Stripping length(mm)		18~19	
使用温度范围/Operating temperature(°C)		-40~+105	
符合 RoHS 环保要求/Conform to RoHS		Yes	



DEGSON

APPD: 兰春华 2022.11.01
 CHKD: 陈招 2022.11.01
 DRFT: 袁路易 2022.11.01

MATERIAL: -	SURFACE/COLOR:		
MAT NO./REV: - / 00	MAT STATUS: 批量		
NAME			
DG137T-15.0-XXP-1Y-00A&Z(H)			
DRAWING NO. 200063525	TYPE CUSTOMER DRAWING	DRAWING STATUS 已发布	SCALE 2:1 SHEET 1/1

REV	ECN	DESCRIPTION	DRFT	DATE
00			袁路易	2022.11.01

Transfer or duplication of this document as well as the utilization or communication of its contents are prohibited unless authorized in writing. All rights reserved for patent. 除专利声明外，复制、引用、分发本文件的所有权、使用、复制或传播均受法律保护。未经书面许可，不得复制或传播本文件。所有权利保留。