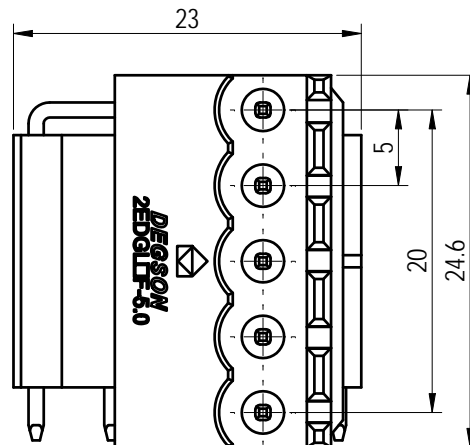
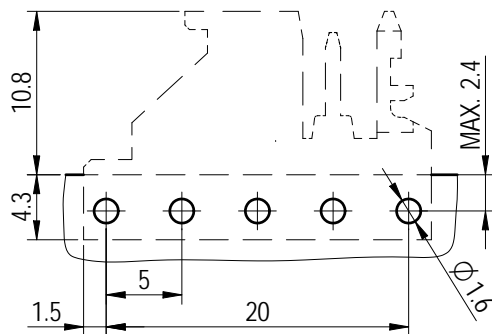
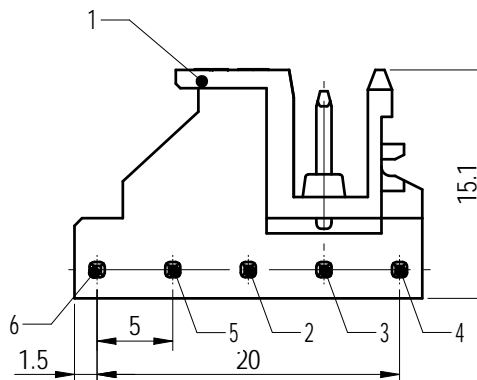
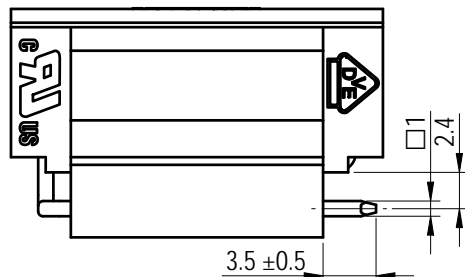
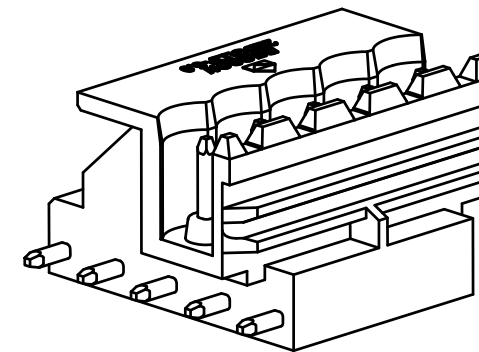


PCB LAYOUT



未注公差/General tolerances (mm)												0.1/10		
0 ~ 3	>3 ~ 6	>6 ~ 10	>10 ~ 18	>18 ~ 30	>30 ~ 50	>50 ~ 80	>80 ~ 120	>120 ~ 180	>180 ~ 250	>250 ~ 315	>315 ~ 400		>400 ~ 500	>500
±0.12	±0.18	±0.22	±0.26	±0.31	±0.37	±0.57	±0.80	±0.93	±1.05	±1.15	±1.60	±2.20	±2.50	±2'



Note:  
The A&Z(H) in the name means: A(H) and Z(H).

ITEM	NAME OF PART	MATERIAL	NOTES
6	Pin5	Copper	Sn Plated
5	Pin4	Copper	Sn Plated
4	Pin2	Copper	Sn Plated
3	Pin1	Copper	Sn Plated
2	Pin3	Copper	Sn Plated
1	Housing	PA66	UL94V-0

UL 标准/UL Standard:	B	C	D
额定电压/电流/Rated Voltage(V)/Current(A)	300/10	/	300/10
IEC 标准/IEC Standard:	III/3	III/2	II/2
过压类别/Overvoltage Category/污染等级/Pollution Degree	250/10	320/10	400/10
额定电压/电流/Rated Voltage(V)/Current(A)	4	4	4
额定脉冲电压(KV)/Rate Impulse Voltage(KV)	-40 ~ +105		
使用温度范围/Operating temperature(°C)	Yes		
符合RoHS环保要求/Conform to RoHS	/		
标准颜色编号/Standard color number: PANTONE / RAL	/		



APPD: 兰春华	2022.11.30
CHKD: 龚耀志	2022.11.30
DRFT: 方哲盛	2022.11.29

MATERIAL:	SURFACE/COLOR:		
MAT NO./REV: - / 00	MAT STATUS: 批量		

NAME				
2EDGRF-5.0-05P-1Y-00A&Z(H)				

REV	ECN	DESCRIPTION	DRFT	DATE	比例/Scale	图框/Frame	DRAWING NO.	TYPE	DRAWING STATUS	SCALE	SHEET
00			方哲盛	2022.11.29	A4	(inch)	200019379	CUSTOMER DRAWING	已发布	2:1	1/1

Transfer or duplication of this document as well as the utilization or communication of its contents are prohibited unless authorized in writing by DEGSON. All rights reserved for patent. 除专利注明情况外，其他内容均不作为要约邀请。未经许可，不得擅自复制或传播。如有侵权，必究。如有任何疑问，请联系方哲盛。方哲盛 2022.11.29