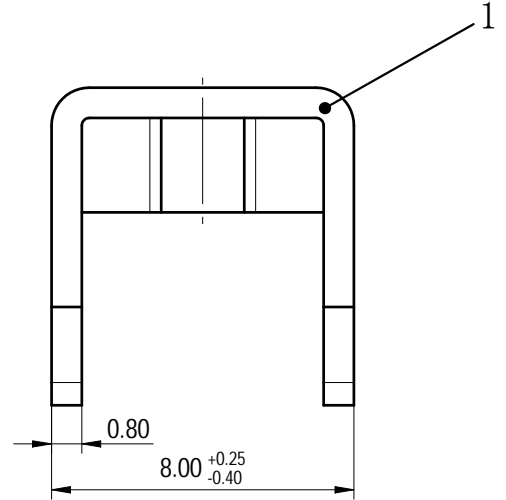
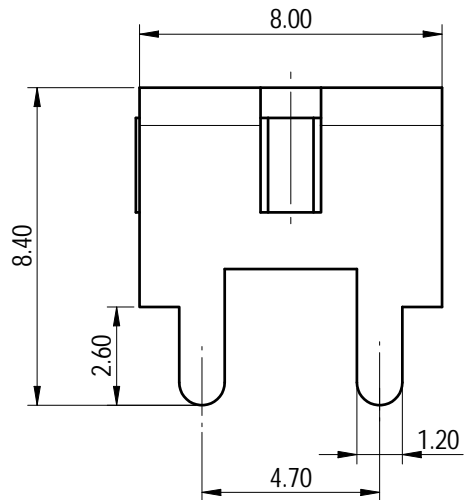
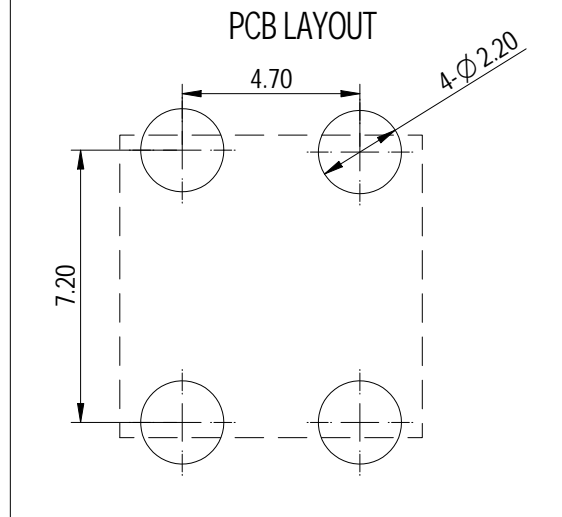
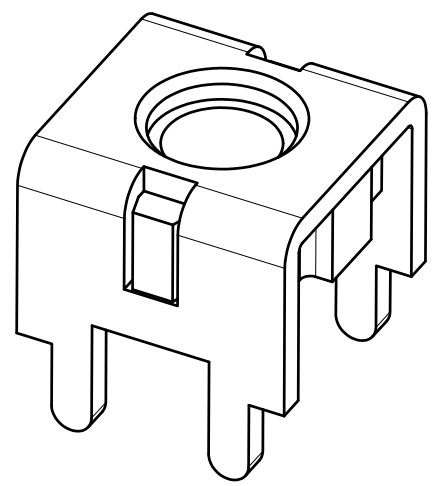
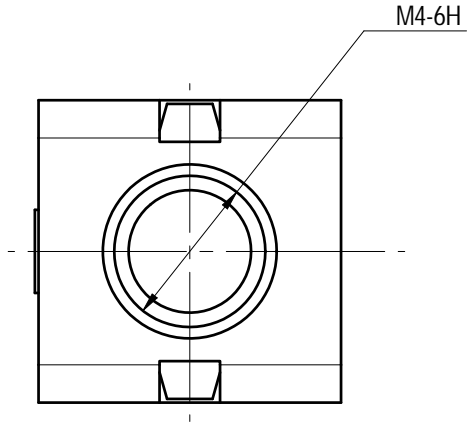


Transfer or duplication of this document as well as the utilization or summation of its contents are prohibited unless authorized in writing by Degson. All rights reserved for patent, utility model or design registrations. 除特别说明外, 未经许可, 不得复制或进行任何形式的修改、复制或传播。本公司保留对涉及发明、实用新型及外观设计的所有权利。

| 未注公差/General tolerances (mm) | | | | | | | | | | | | | 0.1/10 | |
|------------------------------|--------|---------|----------|----------|----------|----------|-----------|------------|------------|------------|------------|------------|--------|------|
| 0 ~ 3 | >3 ~ 6 | >6 ~ 10 | >10 ~ 18 | >18 ~ 30 | >30 ~ 50 | >50 ~ 80 | >80 ~ 120 | >120 ~ 180 | >180 ~ 250 | >250 ~ 315 | >315 ~ 400 | >400 ~ 500 | | >500 |
| ±0.12 | ±0.18 | ±0.22 | ±0.26 | ±0.31 | ±0.37 | ±0.57 | ±0.80 | ±0.93 | ±1.05 | ±1.15 | ±1.60 | ±2.20 | ±2.50 | ±2' |



Note:
The A&Z(H) in the name means:A(H)andZ(H).

| ITEM | NAME OF PART | MATERIAL | NOTES |
|-----------------------------------|--------------|---------------|-----------|
| 1 | Pin header | Copper alloy | Sn Plated |
| 额定电流/Current(A) | | 25 | |
| 螺丝扭矩/Torque Tightening(N·m/Lb.in) | | M4, 2.0/17.54 | |
| 符合RoHS环保要求/Conform to RoHS | | Yes | |

| | | | |
|----------------------|------------------|---------------------------------|----------------|
| DEGSON | | MATERIAL: | SURFACE/COLOR: |
| APPD: 蓝贵凡 2023.11.27 | | MAT NO./REV: 10900000102-1 / 00 | MAT STATUS: 批量 |
| CHKD: 曹利彬 2023.11.27 | | NAME | |
| DRFT: 委民洁 2023.11.27 | | K92-01A&Z(H) | |
| DRAWING NO. | TYPE | DRAWING STATUS | SCALE |
| 200119889 | CUSTOMER DRAWING | 已发布 | 5:1 |
| SHEET | | 1/1 | |

| REV | ECN | DESCRIPTION | DRFT | DATE |
|-----|-----|-------------|------|------------|
| 01 | | | 委民洁 | 2023.11.27 |