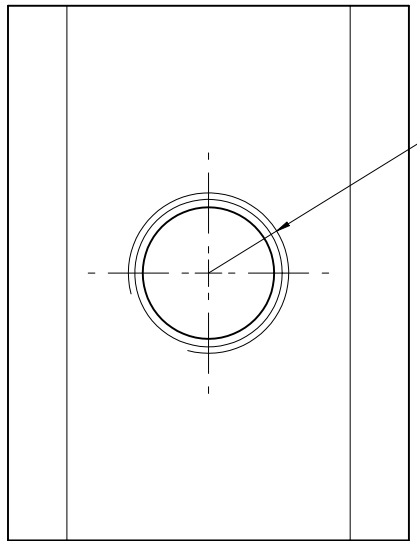
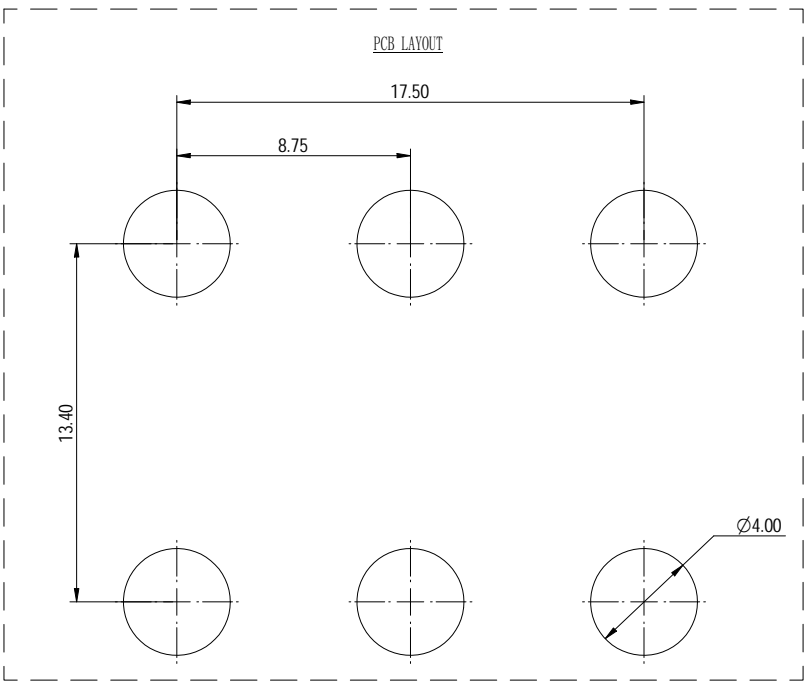


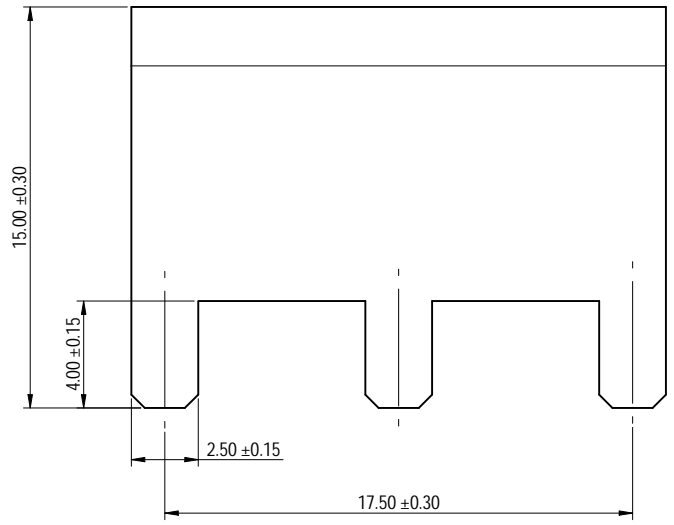
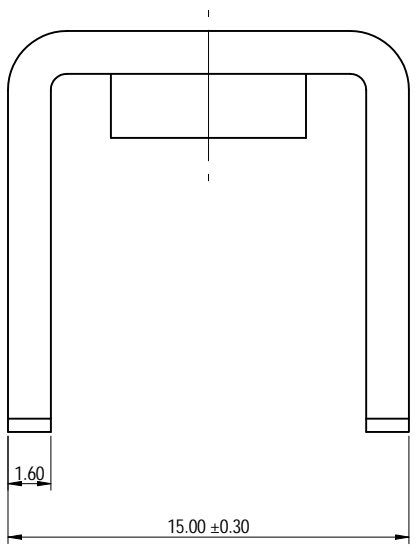
公差/General tolerances (mm)													D		
0	>3	>6	>10	>18	>30	>50	>80	>120	>180	>250	>315	>400		>500	0.1/10
~	~	~	~	~	~	~	~	~	~	~	~	~	~	~	±2
±0.12	±0.18	±0.22	±0.26	±0.31	±0.37	±0.57	±0.80	±0.93	±1.05	±1.15	±1.60	±2.20	±2.50	±2	



M6-6H



PCB LAYOUT



Note: The A&Z(H) in the name means:A(H)and Z(H).

1	Pin header	Copper	Sn Plated
ITEM	NAME OF PART	MATERIAL	NOTES

UL 标准/UL Standard:		
额定电流/Rated Current(A)		115
螺丝扭矩/Torque Tightening(N·m/Lb·in)		M6: 1.8/15.50
符合RoHS环保要求/Conform to RoHS		Yes

MATERIAL:		SURFACE/COLOR:	
MAT NO./REV: 10900000050-1 / 00		MAT STATUS: 批量	

APPD: 蓝美凡	2023.03.02	NAME		K36-00A&Z(H)		
CHKD: 曹利彬	2023.03.02	DRAWING NO.	TYPE	DRAWING STATUS	SCALE	SHEET
DRFT: 姜民洁	2023.03.02	200153880	CUSTOMER DRAWING	已发布	1:1	1/1

REV	ECN	DESCRIPTION	DRFT	DATE
00				

Transfer or duplication of this document as well as the utilization or reproduction of its contents without the written permission of the copyright holder is prohibited. All rights reserved for patent.