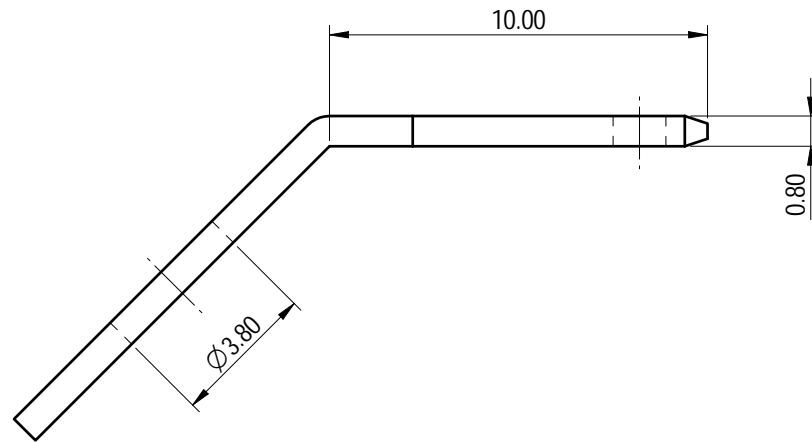
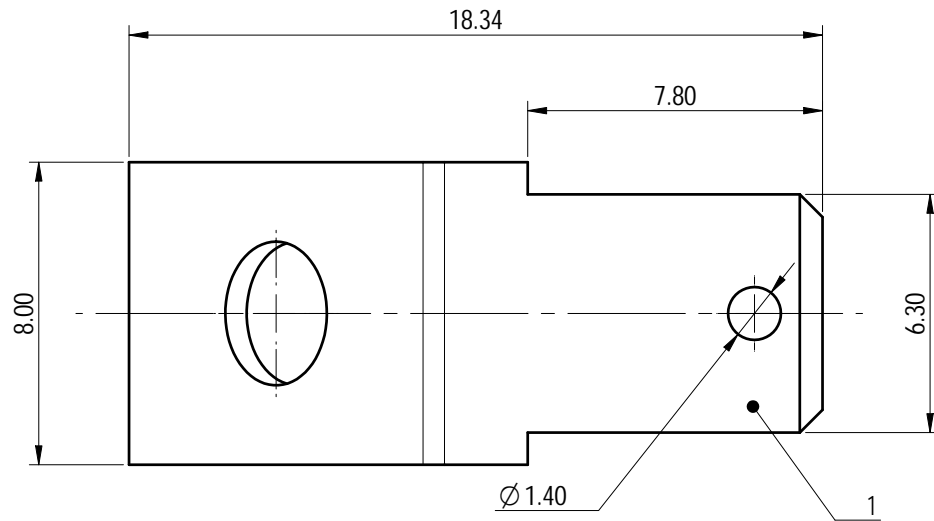


Transfer or duplication of this document as well as the utilization or communication of its contents are prohibited unless explicit authorization is granted. All rights reserved for patent, utility model or designs registrations. 非经许可擅自复制或传播, 否则将承担法律责任。 侵犯者将承担侵权责任。 本公司保留对涉及发明、实用新型和外观设计的所有权利。



未注公差/General tolerances (mm)											0.1/10			
0 ~ 3	>3 ~ 6	>6 ~ 10	>10 ~ 18	>18 ~ 30	>30 ~ 50	>50 ~ 80	>80 ~ 120	>120 ~ 180	>180 ~ 250	>250 ~ 315		>315 ~ 400	>400 ~ 500	>500
±0.12	±0.18	±0.22	±0.26	±0.31	±0.37	±0.57	±0.80	±0.93	±1.05	±1.15	±1.60	±2.20	±2.50	±2'

Note: The A&Z(H) in the name means: A(H) and Z(H).

1	Current carrier	Copper alloy	Sn Plated
ITEM	NAME OF PART	MATERIAL	NOTES
符合RoHS环保要求/Conform to RoHS			Yes

<b>DEGSON</b>		MATERIAL:	SURFACE:		
APPD: 蓝贵凡 2023.12.04		MAT NO./REV: 10900000031-1 / 00		MAT STATUS: 批量	
CHKD: 曹利彬 2023.12.04		NAME			
DRFT: 姜民洁 2023.12.04		K21-00A&Z(H)			
DRAWING NO.	TYPE	DRAWING STATUS	SCALE	SHEET	
200044928	CUSTOMER DRAWING	已发布	5:1	1/1	

REV	ECN	DESCRIPTION	DRFT	DATE
00				