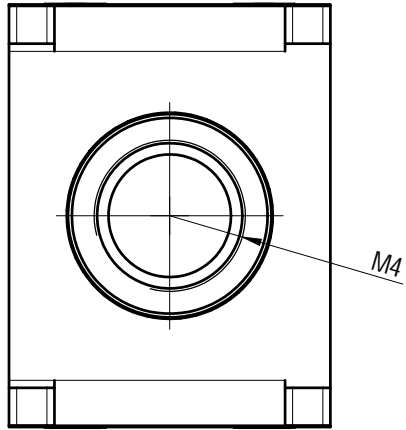
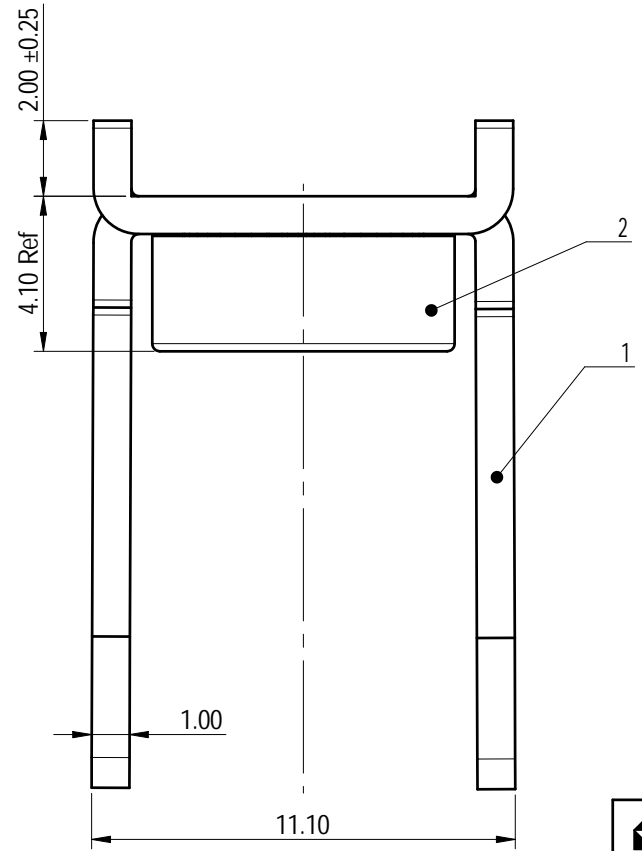
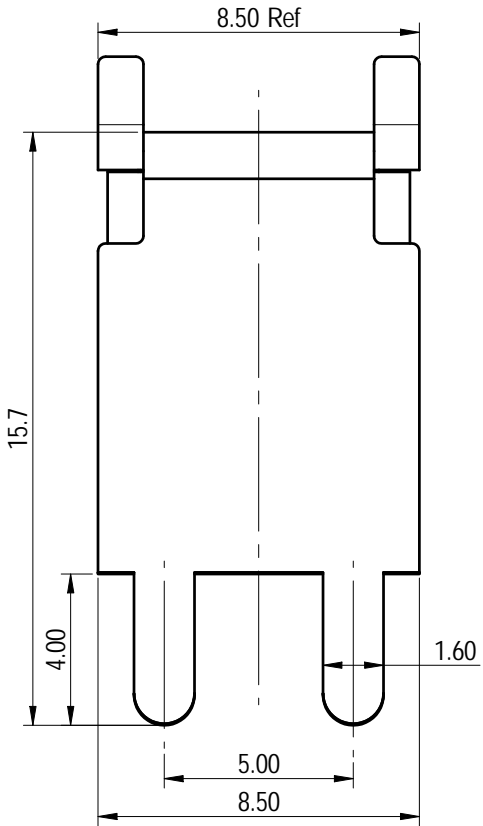


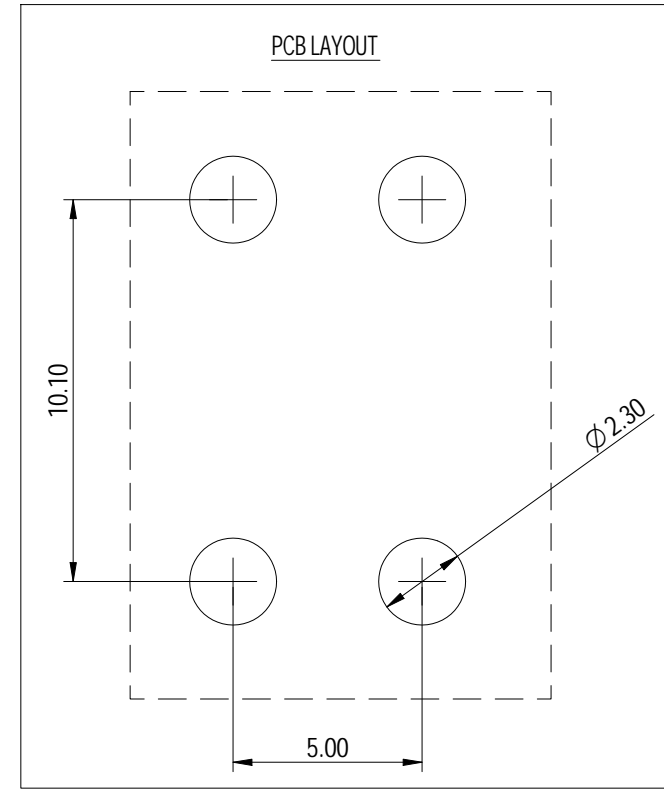
Transfer or duplication of this document as well as the utilization or communication of its contents are prohibited unless authorized in advance. Violations will be held for compensation. All rights reserved for patent, utility model or design registrations. 除专利等明确标注外，其他标注均属于本公司保留的知识产权。未经许可，不得复制或传播。违反者将承担法律责任。所有权利保留。



M4



未注公差/General tolerances (mm)													0.1/10	
0 ~ 3	>3 ~ 6	>6 ~ 10	>10 ~ 18	>18 ~ 30	>30 ~ 50	>50 ~ 80	>80 ~ 120	>120 ~ 180	>180 ~ 250	>250 ~ 315	>315 ~ 400	>400 ~ 500		>500
±0.12	±0.18	±0.22	±0.26	±0.31	±0.37	±0.57	±0.80	±0.93	±1.05	±1.15	±1.60	±2.20	±2.50	±2'
UL 额定电流/Rated Current												30A		
螺丝扭矩/Tightening torque (N · m/Lb.in)												M4, 1.6/14.18		
符合 RoHS 环保要求/Conform to RoHS												Yes		



Note: The A&Z(H) in the name means: A(H) and Z(H).

ITEM	NAME OF PART	MATERIAL	NOTES
2	Nut	Steel	M4/Zn Plated
1	Pin header	Copper alloy	Matte Sn Plated

		MATERIAL:		SURFACE/COLOR:	
		MAT NO./REV: 10900000168-1 / 00		MAT STATUS: 批量	
APPD: 蓝贵凡	2023.05.17	NAME			
CHKD: 曹利彬	2023.05.17	K48-700A&Z(H)			
DRFT: 姜民洁	2023.05.17				
DRAWING NO. 200104420		TYPE CUSTOMER DRAWING		DRAWING STATUS 已发布	
SCALE 2:1		SHEET 1/1			

REV	ECN	DESCRIPTION	DRFT	DATE
00				