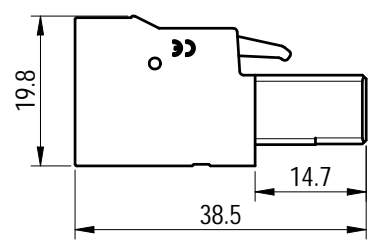
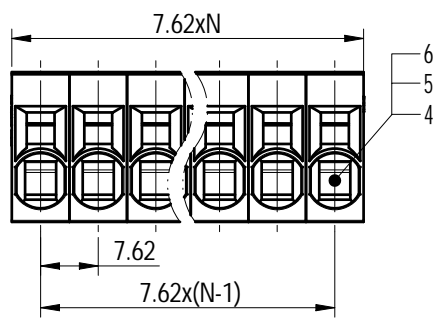
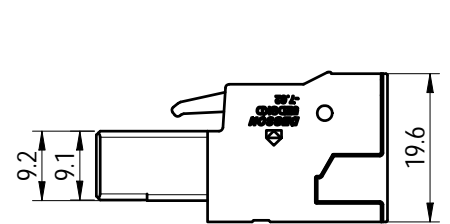
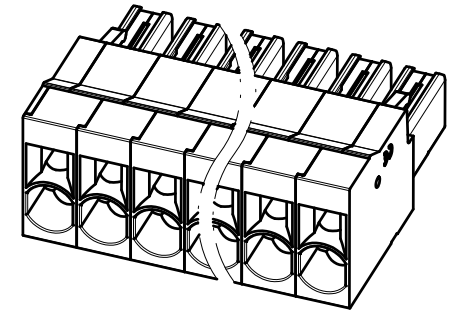
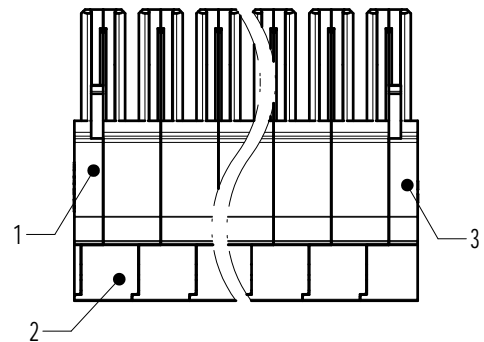


Transfer or duplication of this document as well as the utilization or communication of its contents are prohibited unless authorization is granted. Violations will be liable for compensation. All rights reserved for patent, utility model or designs registrations. 非经书面授权, 复制或传播本文件内容, 或未经授权使用本文件内容, 均属侵权行为, 侵权者将承担法律责任。本公司保留对涉及发明、实用新型和外观设计的所有权利。

未注公差/General tolerances (mm)											0.1/10 ±2'			
0 ~ 3	>3 ~ 6	>6 ~ 10	>10 ~ 18	>18 ~ 30	>30 ~ 50	>50 ~ 80	>80 ~ 120	>120 ~ 180	>180 ~ 250	>250 ~ 315		>315 ~ 400	>400 ~ 500	>500
±0.12	±0.18	±0.22	±0.26	±0.31	±0.37	±0.57	±0.80	±0.93	±1.05	±1.15	±1.60	±2.20	±2.50	

UL 标准/UL Standard:		B	C	D
额定电压/电流/Rated Voltage(V)/Current(A)		600/35	600/35	/
IEC 标准/IEC Standard:				
过压类别/Overvoltage Category/污染等级/Pollution Degree		III/3	III/2	II/2
额定电压/电流/Rated Voltage(V)/Current(A)		1000/41	1000/41	1000/41
额定脉冲电压(KV)/Rate Impulse Voltage(KV)		8	8	6
线径范围(硬线和软线)/Wire Range(rigid and flexible)(AWG/mm²)		24~8 / 0.2~1.0		
间距/Pitch(mm)/线数范围/Poles		7.62/N=02~12P		
剥线长度/Stripping length(mm)		14~15		
使用温度范围/Operating temperature(°C)		-40~+105		
符合 RoHS 环保要求/Conform to RoHS		Yes		



Note:
The A&Z(H) in the name means: A(H) and Z(H).

ITEM	NAME OF PART	MATERIAL	NOTES
6	Spring	Stainless steel	/
5	Shrapnel	Stainless steel	/
4	Clamp	Copper alloy	Sn Plated
3	Housing	PA66	UL94V-0
2	Housing	PA66	UL94V-0
1	Housing	PA66	UL94V-0

		MATERIAL:		SURFACE/COLOR:		
		MAT NO./REV: - / 00		MAT STATUS: 批量		
APPD: 兰春华	2022.01.21	NAME				
CHKD: 龚耀志	2022.01.20	5EDGKD-7.62-XXP-1Y-00A&Z(H)				
DRFT: 胡松	2022.01.20	DRAWING NO.	TYPE	DRAWING STATUS	SCALE	SHEET
		200049996	CUSTOMER DRAWING	已发布	1:1	1/1

REV	ECN	DESCRIPTION	DRFT	DATE
00			胡松	2022.01.20