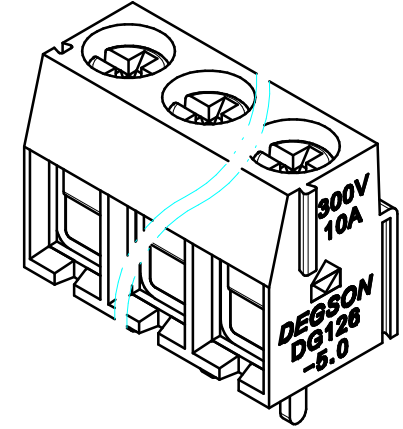
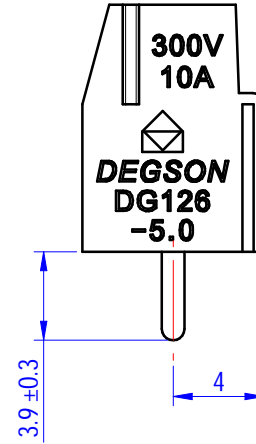
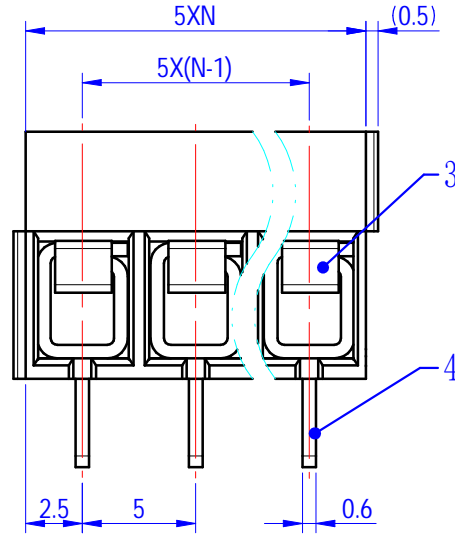
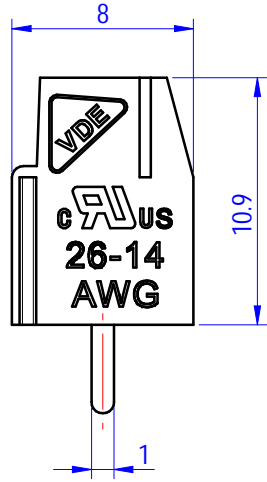
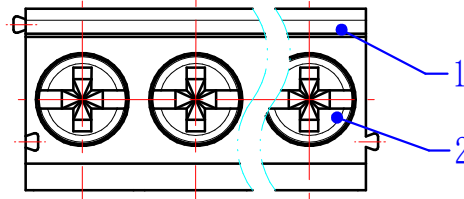


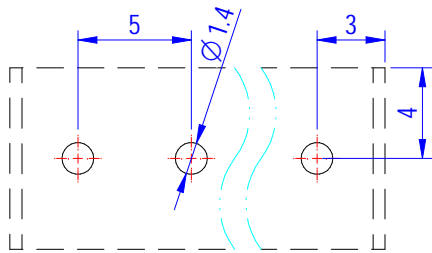
未注公差/General tolerances (mm)													0.1/10 ±2'
0	>3	>6	>10	>18	>30	>50	>80	>120	>180	>250	>315	>400	
~3	~6	~10	~18	~30	~50	~80	~120	~180	~250	~315	~400	~500	>500
±0.12	±0.18	±0.22	±0.26	±0.31	±0.37	±0.57	±0.80	±0.93	±1.05	±1.15	±1.60	±2.20	±2.50



ITEM	NAME OF PART	MATERIAL	NOTES
4	Pin header	Copper alloy	Sn Plated
3	Spring	Stainless steel	/
2	Screw	Steel	M2.6/Zn Plated
1	Housing	PA66-GF	UL94V-0

UL 标准/UL Standard:	B	C	D
额定电压/电流/Rated Voltage(V)/Current(A)	300/10	/	/
IEC 标准/IEC Standard:			
过压类别/Overtoltage Category/污染等级/Pollution Degree	III/2		
额定电压/电流/Rated Voltage(V)/Current(A)	250/18		
工频耐压/Withstanding voltage(V 1Mn)	AC2000		
螺丝扭矩/Torque Tightening(N·m/Lb.in)	M2.6, 0.34~ 0.4/3.1~ 3.6		
线径范围(硬线和软线)/Wire Range(rigid and flexible)(AWG mm ²)	26~ 14/ 0.5~ 2.5		
间距/Pitch(mm)/线数范围/Poles	5.0/N= 02~ 24P		
剥线长度/Stripping length(mm)	6~ 7		
使用温度范围/Operating temperature(°C)	-40~ + 105		
符合 RoHS 环保要求/Conform to RoHS	Yes		

PCB LAYOUT



MATERIAL:	SURFACE/COLOR:
MAT NO./REV:	MAT STATUS: 批量

APPD: 兰春华	2024.10.12
CHKD: 陈招	2024.10.12
DRFT: 龚徐涛	2024.10.12

NAME				
DG126-5.0-XXP-1Y-19A&Z(H)				

REV	ECN	DESCRIPTION	DRFT	DATE	DRAWING NO.	TYPE	DRAWING STATUS	SCALE	SHEET
01		零件加印, 更正	龚徐涛	2024.10.12	200031784	CUSTOMER DRAWING	已发布	3:1	1/1

Transfer or duplication of this document as well as the utilization or communication of its contents are prohibited unless authorized in writing by Degson. All rights reserved for patent, utility model or design registrations. 除专利、实用新型、外观设计、软件著作权、商标、专利、注册商标等文件外，其他文件均保留所有权利。 未经许可，不得复制或传播任何内容。