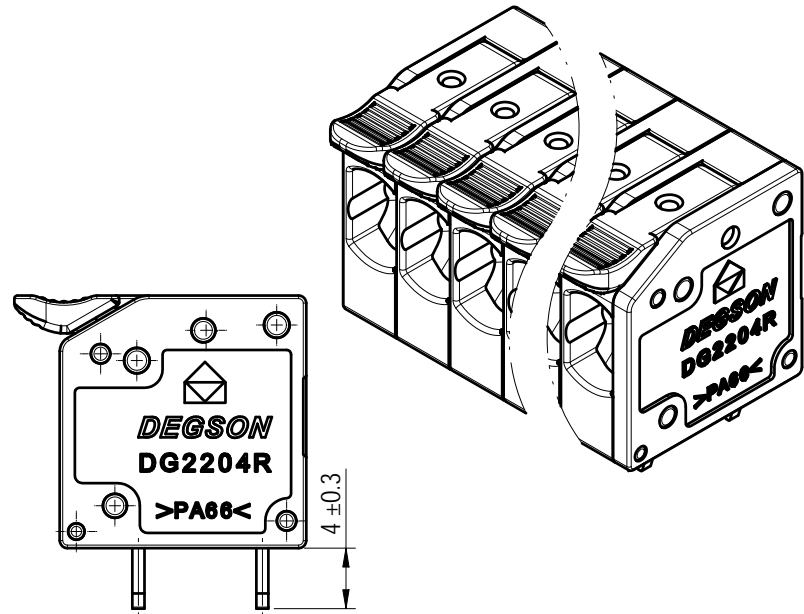
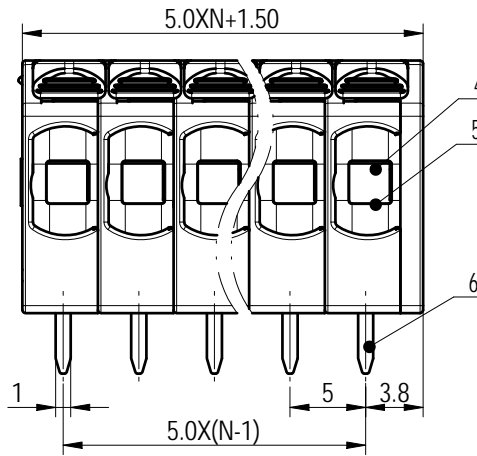
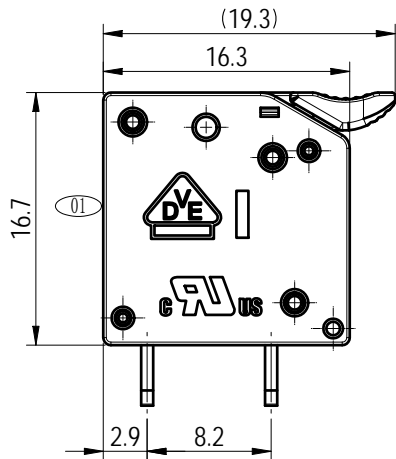
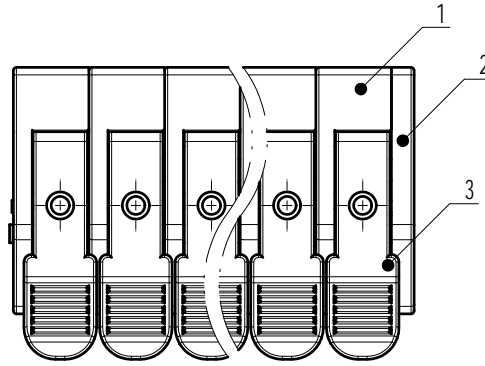
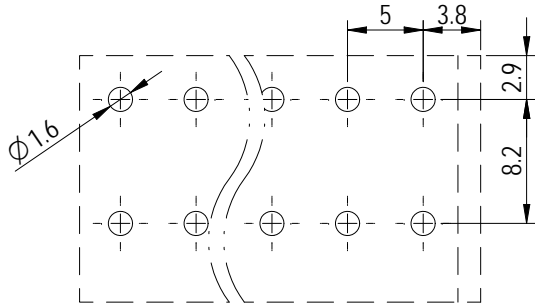


PCB LAYOUT



未注公差/General tolerances (mm)													
0	>3	>6	>10	>18	>30	>50	>80	>120	>180	>250	>315	>400	0.1/10 ±2'
~3	~6	~10	~18	~30	~50	~80	~120	~180	~250	~315	~400	>500	
±0.12	±0.18	±0.22	±0.26	±0.31	±0.37	±0.57	±0.80	±0.93	±1.05	±1.15	±1.60	±2.20	±2.50
UL 标准/UL Standard:										B	C	D	
额定电压/电流/Rated Voltage(V)/Current(A)										300/20	/	300/10	
IEC 标准/IEC Standard:													
过压类别/Overvoltage Category/污染等级/Pollution Degree										III/3	III/2	II/2	
额定电压/电流/Rated Voltage(V)/Current(A)										320/32	400/32	630/32	
额定脉冲电压(KV)/Rate Impulse Voltage(KV)										4	4	4	
线径范围(硬线和软线)/Wire Range(rigid and flexible)(AWG/mm ²)										24~12 / 0.2~4			
间距/Pitch(mm)/线数范围/Poles										5.0/N=01~12P			
剥线长度/Stripping length(mm)										9~11			
使用温度范围/Operating temperature(°C)										-40~+105			
符合RoHS环保要求/Conform to RoHS										Yes			

6	Pin header	Copper	Sn Plated
5	Spring	Stainless steel	/
4	Slider	Stainless steel	/
3	Lever	PA66-GF	UL94V-0
2	Cover	PA66	UL94V-0
1	Housing	PA66	UL94V-0
ITEM	NAME OF PART	MATERIAL	NOTES

		MATERIAL:		SURFACE/COLOR:	
		MAT NO./REV: / 00		MAT STATUS: 批量	
APPD: 兰春华	2023.07.13	NAME			
CHKD: 张玉华	2023.07.13	DG2204R-5.0-XXP-1Y-00Z(H)			
DRFT: 申玉堂	2023.07.13	DRAWING NO.	TYPE	DRAWING STATUS	SCALE
		200101577	CUSTOMER DRAWING	已发布	2:1
					SHEET 1/1

01			申玉堂	2023.07.13
REV	ECN	DESCRIPTION	DRFT	DATE

Transfer or duplication of this document as well as the utilization or communication of its contents are prohibited unless authorized in writing by DEGSON. All rights reserved for patent, utility model or design registrations. 除专利等权利外, 未经授权, 不得复制或传播, 否则将承担法律责任。 未经授权, 不得复制或传播, 否则将承担法律责任。