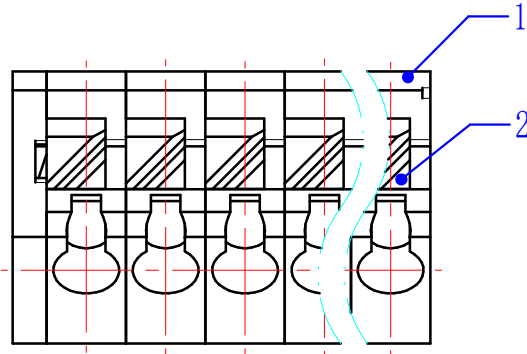
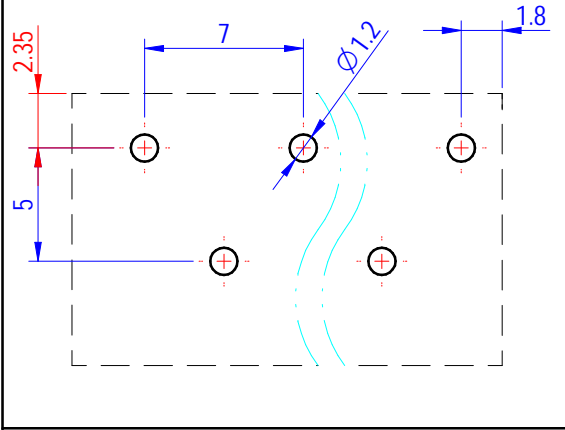
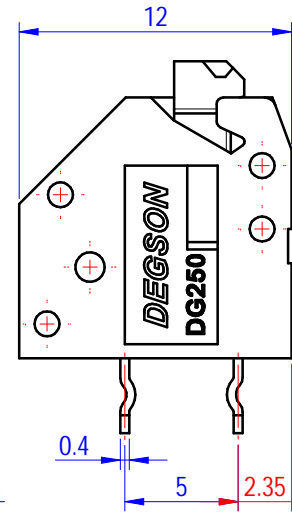
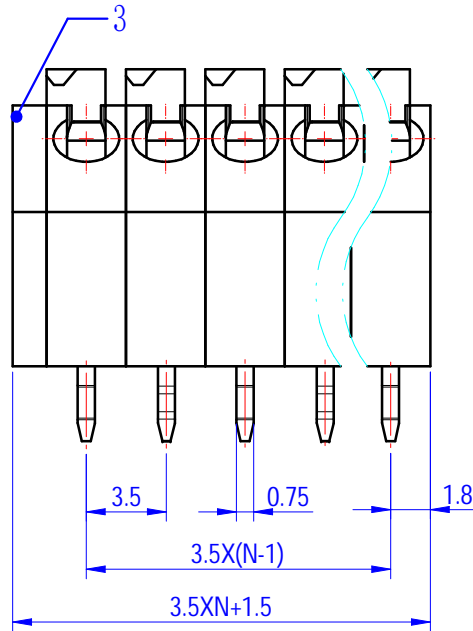
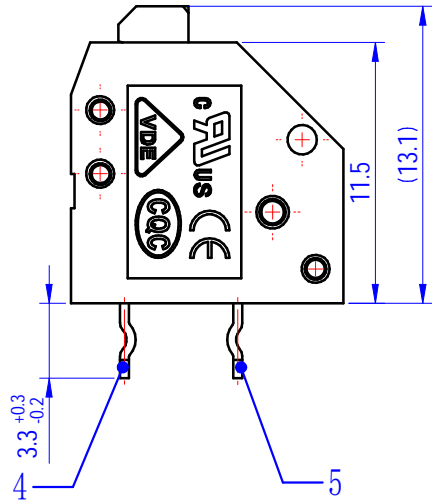
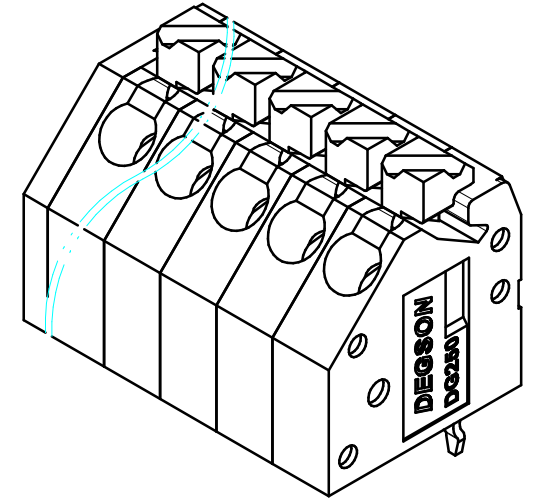


PCB LAYOUT



未注公差/General tolerances (mm)												0.1/10 ±2'	
0	>3	>6	>10	>18	>30	>50	>80	>120	>180	>250	>315		>400
~ 3	~ 6	~ 10	~ 18	~ 30	~ 50	~ 80	~ 120	~ 180	~ 250	~ 315	~ 400	~ 500	>500
±0.12	±0.18	±0.22	±0.26	±0.31	±0.37	±0.57	±0.80	±0.93	±1.05	±1.15	±1.60	±2.20	±2.50



ITEM	NAME OF PART	MATERIAL	NOTES
5	Small Pin header	Copper alloy	Sn plated
4	Big Pin header	Copper alloy	Sn plated
3	Cover	PA66	UL94V-0
2	Button	PA66	UL94V-0
1	Housing	PA66	UL94V-0

UL 标准/UL Standard:	B	C	D
额定电压/电流/Rated Voltage(V)/Current(A)	300/8	150/8	300/8
IEC 60947-7-4标准/IEC 60947-7-4 Standard:			
过压类别/Overtoltage Category/污染等级/Pollution Degree	III/3	III/2	II/2
额定电压/电流/Rated Voltage(V)/Current(A)	320/10	320/10	630/10
额定脉冲电压(KV)/Rate Impulse Voltage(KV)	4		
线径范围(硬线和软线)/Wire Range(rigid and flexible)(AWG mm <sup>2</sup> )	22~ 16/ 0.2~ 1.5		
IEC 60998 标准/IEC 60998 Standard:			
过压类别/Overtoltage Category/污染等级/Pollution Degree	III/3	III/2	II/2
额定电压/电流/Rated Voltage(V)/Current(A)	/	450/10	/
工频耐压/Withstanding voltage(V 1Mn)	AC2500		
线径范围(硬线和软线)/Wire Range(rigid and flexible)(AWG mm <sup>2</sup> )	22~ 16/ 0.2~ 0.75		
间距/Pitch(mm)/线数范围/Poles	3.5/N= 02~ 24P		
剥线长度/Stripping length(mm)	8.5~ 9.5		
使用温度范围/Operating temperature(°C)	-40~ +105		
符合RoHS环保要求/Conform to RoHS	Yes		

		MATERIAL:	SURFACE/COLOR:	
APPD: 兰春华	2023. 10. 26	MAT NO./REV:	/ 00	
CHKD: 陈招	2023. 10. 26	NAME:	DG250-3. 5-XXP-1Y-00A&Z (H)	
DRFT: 龚徐涛	2023. 10. 26	DRAWING NO.	TYPE	DRAWING STATUS
REV	ECN	200029000	CUSTOMER DRAWING	已发布
DESCRIPTION		SCALE	SHEET	
1X出脚公差调整		3:1	1/1	

REV	ECN	DESCRIPTION	DRFT	DATE
02		1X出脚公差调整	龚徐涛	2023. 10. 26

Transfer or duplication of this document as well as the utilization or communication of its contents are prohibited unless authorized in general. Violations will be treated for compensation. All rights reserved for patent, utility model or design registrations. 除专利注明情况外, 否则禁止上述行为, 未经授权擅自复制或传播, 否则将追究法律责任。 本公司保留对涉及发明、实用新型及外观设计专利的所有权利。