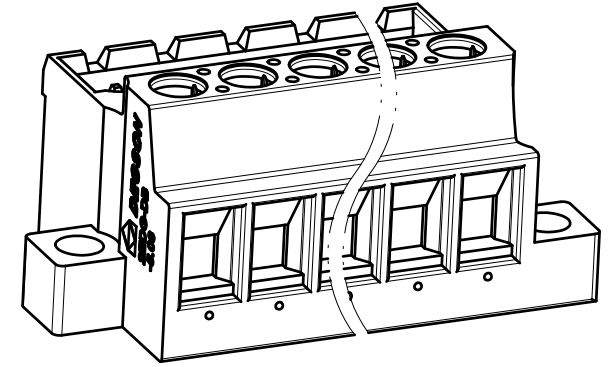
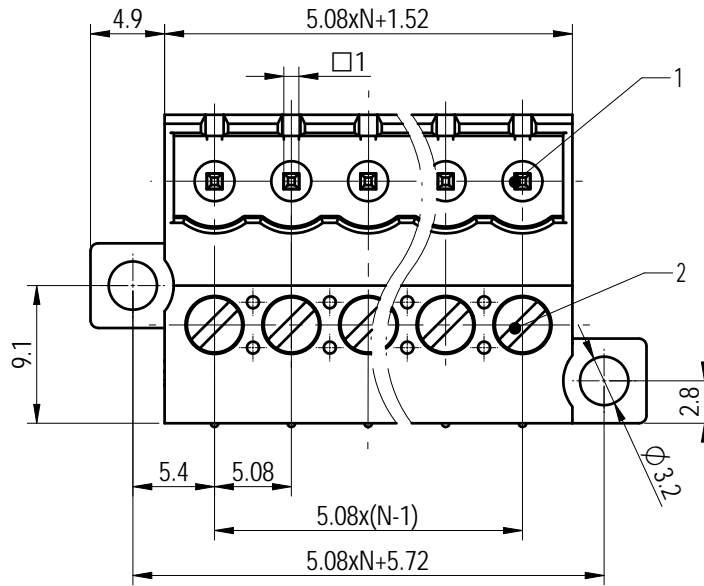
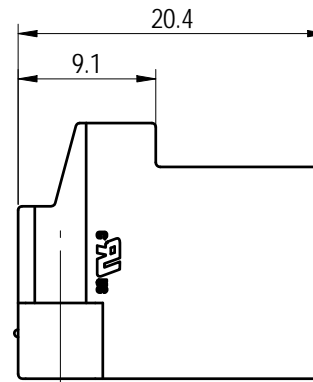
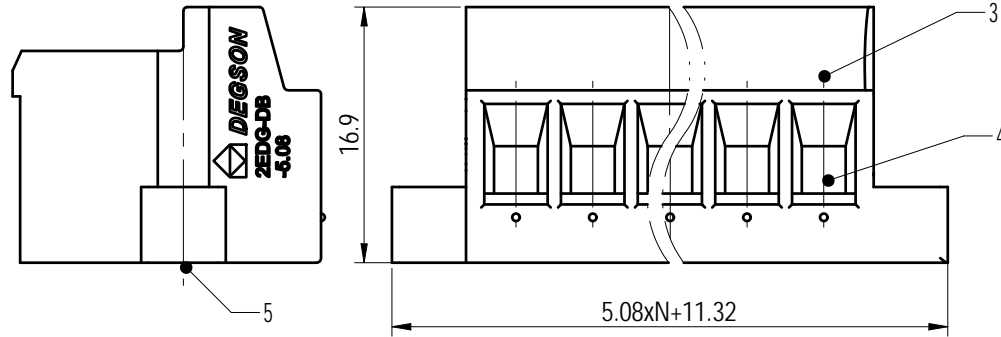


公差/General tolerances (mm)													0.1/10 ±2'
0	>3	>6	>10	>18	>30	>50	>80	>120	>180	>250	>315	>400	
±0.12	±0.18	±0.22	±0.26	±0.31	±0.37	±0.57	±0.80	±0.93	±1.05	±1.15	±1.60	±2.20	±2.50

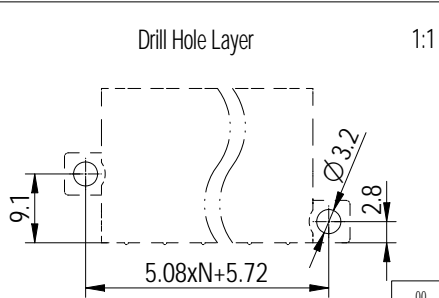


Note:  
The A&Z(H) in the name means: A(H) and Z(H).

ITEM	NAME OF PART	MATERIAL	NOTES
5	Cover	PA66	UL94V-0
4	Cage	Copper alloy	M3/Ni Plated
3	Housing	PA66	UL94V-0
2	Screw	Steel	M3/Zn Plated
1	Pin	Copper	Sn Plated



UL 标准/UL Standard:	B	C	D
额定电压/电流/Rated Voltage(V)/Current(A)	300/15	/	300/10
IEC 标准/IEC Standard:			
过压类别/Overtoltage Category/污染等级/Pollution Degree	III/3	III/2	II/2
额定电压/电流/Rated Voltage(V)/Current(A)	250/12	320/12	630/12
额定脉冲电压(KV)/Rate Impulse Voltage(KV)	4	4	4
螺丝扭矩/Torque Tightening(N·m/Lb.in)	M3, 0.6/5.32		
线径范围(硬线和软线)/Wire Range(rigid and flexible)(AWG/mm <sup>2</sup> )	28~12/ 0.2~2.5		
间距/Pitch(mm)/线数范围/Poles	5.08/N=02~24P		
剥线长度/Stripping length(mm)	7~8		
使用温度范围/Operating temperature(°C)	-40~+105		
符合RoHS环保要求/Conform to RoHS	Yes		
标准颜色编号/Standard color number: PANTONE / RAL	/		



REV	ECN	DESCRIPTION	DRFT	DATE
00			周锡锦	2023.02.15

**DEGSON**

APPD: 竺春华 2023.02.15  
CHKD: 龚耀志 2023.02.15  
DRFT: 周锡锦 2023.02.15

MATERIAL:	SURFACE/COLOR:	
MAT NO./REV: - / 00	MAT STATUS: 批量	
NAME:	2EDG-DB-5.08-XXP-1Y-00A&Z(H)	
DRAWING NO. 200147291	TYPE CUSTOMER DRAWING	DRAWING STATUS 已发布
SCALE 2:1	SHEET 1/2	

Transfer or duplication of this document as well as the utilization or simulation of its content are prohibited unless explicitly authorized in writing by DEGSON. All rights reserved for patent. 除专利等明确标注外, 未经授权, 不得复制或传播。如有侵权, 必究。本文件仅供参考, 不作为法律依据。保留所有权利, 未经许可, 不得复制或传播。