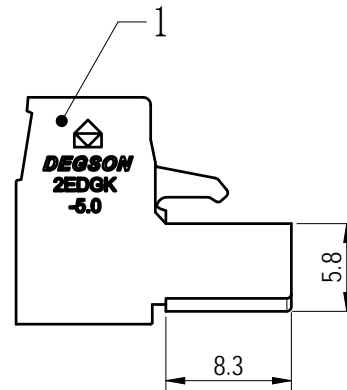
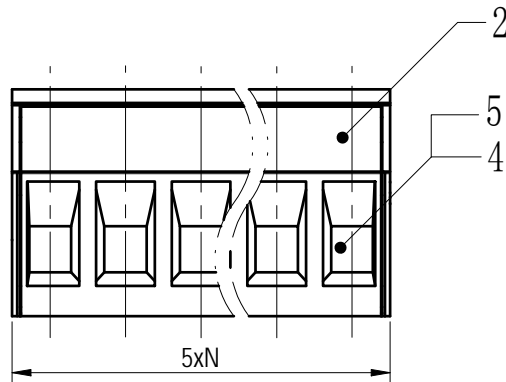
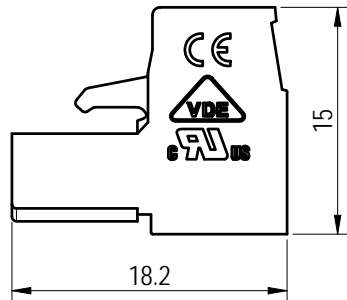
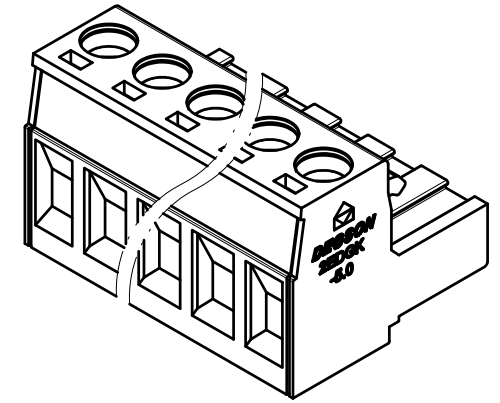
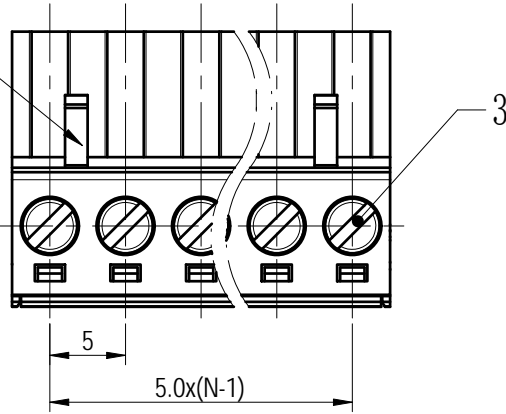


未注公差/General tolerances (mm)													0.1/10	
0	>3	>6	>10	>18	>30	>50	>80	>120	>180	>250	>315	>400		>500
~3	~6	~10	~18	~30	~50	~80	~120	~180	~250	~315	~400	~500	>500	
±0.12	±0.18	±0.22	±0.26	±0.31	±0.37	±0.57	±0.80	±0.93	±1.05	±1.15	±1.60	±2.20	±2.50	±2'

2P:Clasp on the left from this view



Note:

The A&Z(H) in the name means: A(H) and Z(H).

ITEM	NAME OF PART	MATERIAL	NOTES	
5	Clamp	Copper alloy	Sn Plated	
4	Cage	Copper alloy	M3/Ni Plated	
3	Screw	Steel	M3/Zn Plated	
2	Cover	PA66	UL94V-0	
1	Housing	PA66	UL94V-0	
UL 标准/UL Standard:		B	C	D
额定电压/电流/Rated Voltage(V)/Current(A)		300/15	/	300/10
IEC 标准/IEC Standard:				
过压类别/Ovenvoltage Category/污染等级/Pollution Degree		III/3	III/2	II/2
额定电压/电流/Rated Voltage(V)/Current(A)		/	320/20	/
额定脉冲电压(KV)/Rate Impulse Voltage(KV)		/	4	/
螺丝扭矩/Torque Tightening(N·m/Lb.in)		M3, 0.5/4.43		
线径范围(硬线和软线)/Wire Range(rigid and flexible)(AWG/mm ²)		28~12/ 1.0~2.5		
间距/Pitch(mm)/线数范围/Poles		5.0/N=02~24P		
剥线长度/Stripping length(mm)		7~8		
使用温度范围/Operating temperature(°C)		-40~-+105		
符合RoHS环保要求/Conform to RoHS		Yes		



MATERIAL:	SURFACE/COLOR:
MAT NO./REV: - / 00	MAT STATUS: 批量

APPD: 兰春华	2022.11.02	NAME 2EDGK-5.0-XXP-1Y-1000A&Z(H)
CHKD: 龚耀志	2022.11.02	
DRFT: 朱岳鹏	2022.11.02	

00	REV	ECN	DESCRIPTION	DRFT	DATE	200029767	CUSTOMER DRAWING	已发布	SCALE 2:1	SHEET 1/1
----	-----	-----	-------------	------	------	-----------	------------------	-----	-----------	-----------

Transfer or duplication of this document as well as the utilization or communication of its content is prohibited unless authorized in writing. All rights reserved for patent, utility model or design registrations. 除专利号明确标注外, 其他标注均非本公司所有。未经许可, 不得复制或传播。 未经授权, 不得复制或传播。 未经授权, 不得复制或传播。