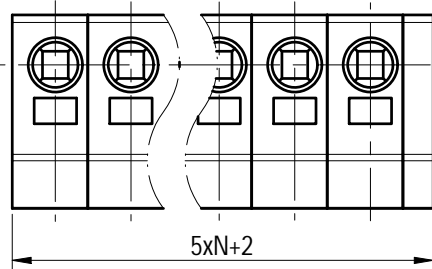
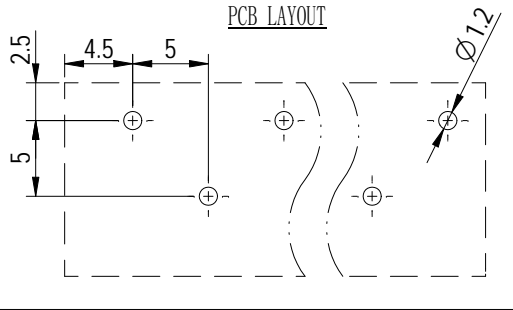
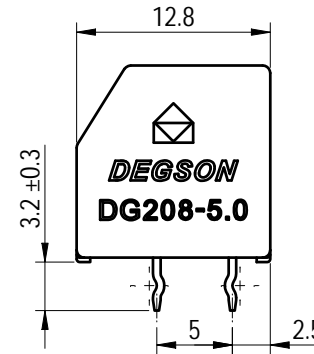
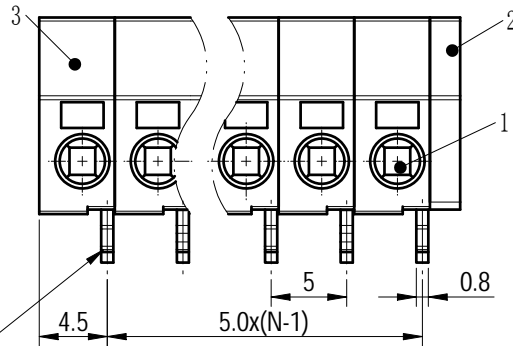
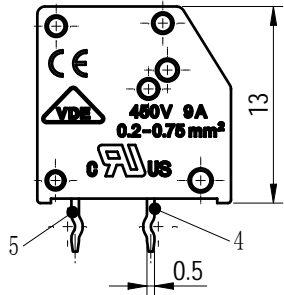
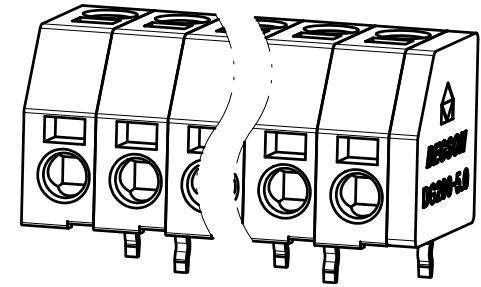


PCB LAYOUT



未注公差/General tolerances (mm)												0.1/10	
0	>3	>6	>10	>18	>30	>50	>80	>120	>180	>250	>315		>400
~3	~6	~10	~18	~30	~50	~80	~120	~180	~250	~315	~400	~500	>500
±0.12	±0.18	±0.22	±0.26	±0.31	±0.37	±0.57	±0.80	±0.93	±1.05	±1.15	±1.60	±2.20	±2.50



Note: The A&Z(H) in the name means: A(H) and Z(H).

ITEM	NAME OF PART	MATERIAL	NOTES
5	Back pin	Copper	Sn Plated
4	Front pin	Copper	Sn Plated
3	Housing	PA66	UL94V-0
2	Cover	PA66	UL94V-0
1	Spring	Stainless Steel	/

the first pole at left is back pin

UL 标准/UL Standard:	B	C	D
额定电压/电流/Rated Voltage(V)/Current(A)	300/7	/	300/7
IEC 标准/IEC Standard:			
过压类别/Overvoltage Category/污染等级/Pollution Degree	III/3	III/2	II/2
额定电压/电流/Rated Voltage(V)/Current(A)	/	450/9	/
工频耐压/Withstanding voltage(V/1Min)	AC2500		
线径范围(硬线和软线)/Wire Range(rigid and flexible)(AWG/mm²)	20~16 / 0.2~0.75		
间距/Pitch(mm)/线数范围/Poles	5.0/N=01~24P		
剥线长度/Stripping length(mm)	7~8		
使用温度范围/Operating temperature(°C)	-40~+105		
符合RoHS环保要求/Conform to RoHS	Yes		

DEGSO		MATERIAL: -	SURFACE/COLOR:	
APPD: 兰春华 2022.08.08		MAT NO./REV: - / 01	MAT STATUS: 批量	
CHKD: 陈招 2022.08.08		NAME		
DRFT: 袁路易 2022.08.05		DG208-5.0-XXP-1Y-00A&Z(H)		
DRAWING NO.	TYPE	DRAWING STATUS	SCALE	SHEET
200075716	CUSTOMER DRAWING	已发布	2:1	1/1

REV	ECN	DESCRIPTION	DRFT	DATE
00			袁路易	2022.08.05

Transfer or duplication of this document as well as the utilization or communication of its contents are prohibited unless authorized in writing by DEGSO. All rights reserved for patent. activity model or design registrations. 除专利注明情况外, 否则禁止转让、复制、引用、交流等文件的所有权。 未经书面授权, 擅自复制或传播文件, 侵犯专利权和/或著作权的所有权利。