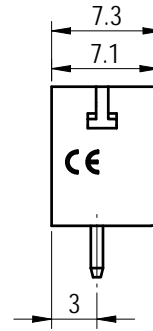
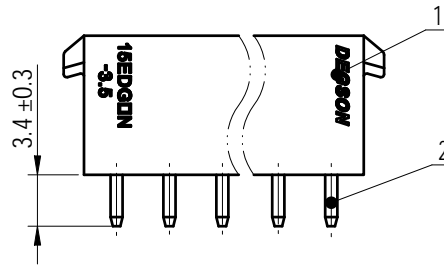
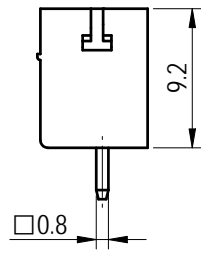
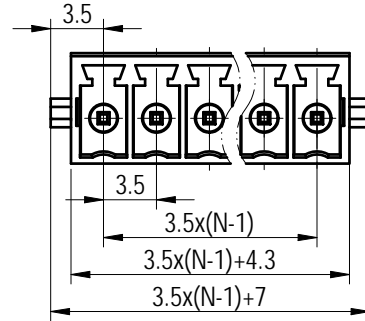
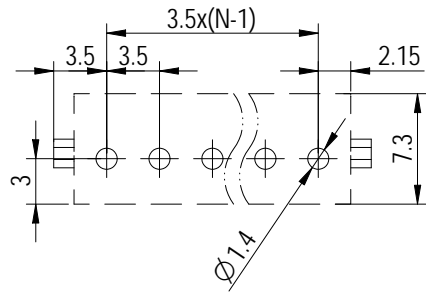
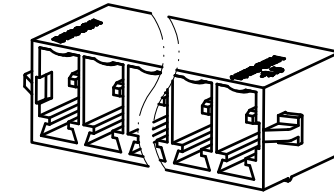


PCB LAYOUT



| 未注公差/General tolerances (mm) |       |       |       |       |       |       |       |       |       |       |       | 0.1/10 |       |
|------------------------------|-------|-------|-------|-------|-------|-------|-------|-------|-------|-------|-------|--------|-------|
| 0                            | >3    | >6    | >10   | >18   | >30   | >50   | >80   | >120  | >180  | >250  | >315  |        | >400  |
| ~3                           | ~6    | ~10   | ~18   | ~30   | ~50   | ~80   | ~120  | ~180  | ~250  | ~315  | ~400  | ~500   | >500  |
| ±0.12                        | ±0.18 | ±0.22 | ±0.26 | ±0.31 | ±0.37 | ±0.57 | ±0.80 | ±0.93 | ±1.05 | ±1.15 | ±1.60 | ±2.20  | ±2.50 |



Note:  
The A&Z(H) in the name means: A(H) and Z(H).

| ITEM | NAME OF PART | MATERIAL     | NOTES     |
|------|--------------|--------------|-----------|
| 2    | Pin          | Copper alloy | Sn Plated |
| 1    | Housing      | PA66+GF      | UL94V-0   |

| UL 标准/UL Standard:                              | B             | C     | D     |
|---|---------------|-------|-------|
| 额定电压/电流/Rated Voltage(V)/Current(A)             | 300/8         | /     | /     |
| IEC 标准/IEC Standard:                            |               |       |       |
| 过压类别/Overvoltage Category/污染等级/Pollution Degree | III/3         | III/2 | II/2  |
| 额定电压/电流/Rated Voltage(V)/Current(A)             | /             | /     | 250/7 |
| 额定脉冲电压(KV)/Rate Impulse Voltage(KV)             | /             | /     | 2.5   |
| 间距/Pitch(mm)/线数范围/Poles                         | 3.50/N=02~22P |       |       |
| 使用温度范围/Operating temperature(°C)                | -40~+105      |       |       |
| 符合RoHS环保要求/Conform to RoHS                      | Yes           |       |       |
| 标准颜色编号/Standard color number: PANTONE / RAL     | /             |       |       |

**DEGSON**

APPD: 兰春华 2022.08.29  
 CHKD: 龚耀志 2022.08.29  
 DRFT: 刘强 2022.08.29

|                             |                  |                |       |
|-----------------------------|------------------|----------------|-------|
| MATERIAL:                   | SURFACE/COLOR:   |                |       |
| MAT NO./REV:                | / 00             | MAT STATUS: 批量 |       |
| NAME                        |                  |                |       |
| 15EDGVN-3.5-XXP-1Y-00A&Z(H) |                  |                |       |
| DRAWING NO.                 | TYPE             | DRAWING STATUS | SCALE |
| 200103773                   | CUSTOMER DRAWING | 已发布            | 2:1   |
| SHEET                       |                  | 1/1            |       |

| REV | ECN | DESCRIPTION | DRFT | DATE       |
|-----|-----|-------------|------|------------|
| 00  |     |             | 刘强   | 2022.08.29 |

Transfer or duplication of this document as well as the utilization or communication of its contents are prohibited without the prior written consent of DEGSON. 未经授权，不得复制或传播本文件内容，否则将依法追究法律责任。 All rights reserved for patent. 所有权利保留，未经许可，不得擅自复制或传播本文件内容。