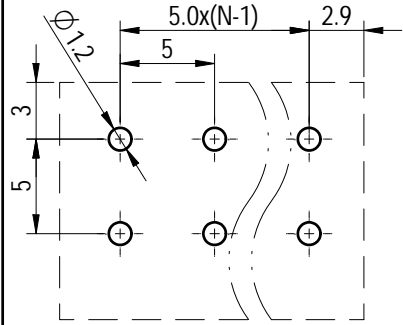


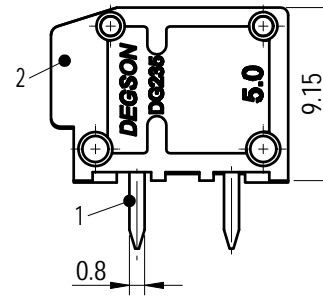
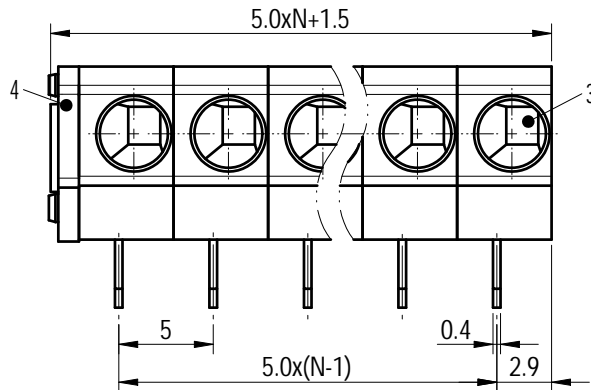
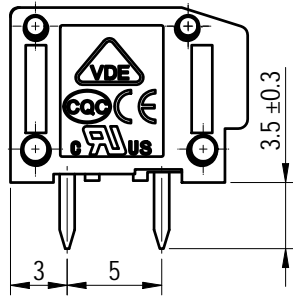
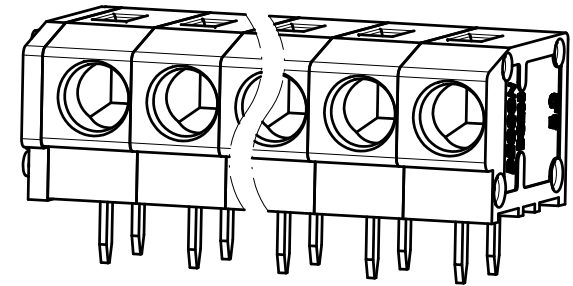
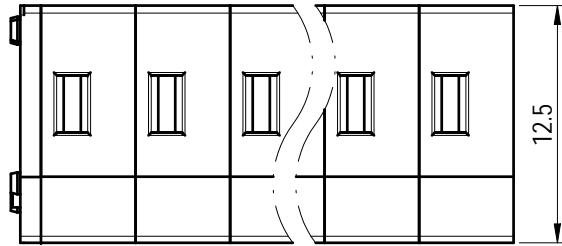
PCB LAYOUT

5.0x(N-1) 2.9



未注公差/General tolerances (mm)

0	>3	>6	>10	>18	>30	>50	>80	>120	>180	>250	>315	>400	>500	0.1/10 ±2'
~3	~6	~10	~18	~30	~50	~80	~120	~180	~250	~315	~400	~500		
±0.12	±0.18	±0.22	±0.26	±0.31	±0.37	±0.57	±0.80	±0.93	±1.05	±1.15	±1.60	±2.20	±2.50	



4	Cover	PA66	UL94V-0
3	Spring	Stainless steel	/
2	Housing	PA66	UL94V-0
1	Pin header	Copper alloy	Sn plated
ITEM	NAME OF PART	MATERIAL	NOTES

UL 标准/UL Standard:		B	C	D
额定电压/电流/Rated Voltage(V)/Current(A)		300/5	150/5	300/5
IEC 标准/IEC Standard:				
过压类别/Overvoltage Category/污染等级/Pollution Degree		III/3	III/2	II/2
额定电压/电流/Rated Voltage(V)/Current(A)		250/17.5	320/17.5	630/17.5
额定脉冲电压(KV)/Rate Impulse Voltage(KV)		4	4	4
线径范围(硬线和软线)/Wire Range(rigid and flexible)(AWG/mm²)		20~18 / 0.2~1.5,2.5(sol)		
间距/Pitch(mm)/线数范围/Poles		5.0/N=02~24P		
剥线长度/Stripping length(mm)		10		
使用温度范围/Operating temperature(°C)		-40~+105		
符合RoHS环保要求/Conform to RoHS		Yes		



MATERIAL: -	SURFACE/COLOR:
MAT NO./REV: - / 00	MAT STATUS: 批量

APPD: 兰春华	2022.08.10
CHKD: 陈招	2022.08.10

NAME				
DG235W-5.0-XXP-1Y-00Z (H)				

00	REV	ECN	DESCRIPTION	DRFT	DATE
				袁路易	2022.08.09

DRFT: 袁路易	2022.08.09	DRAWING NO.	TYPE	DRAWING STATUS	SCALE	SHEET
		200022091	CUSTOMER DRAWING	已发布	2:1	1/1

Transfer or duplication of this document as well as the utilization or communication of its content are prohibited unless authorized in writing by DEGSON. All rights reserved for patent. 除专利号外，其他内容均受法律保护。未经授权，不得复制或传播。 0.1/10