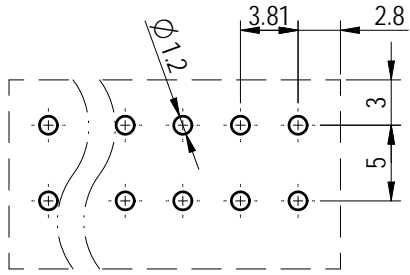
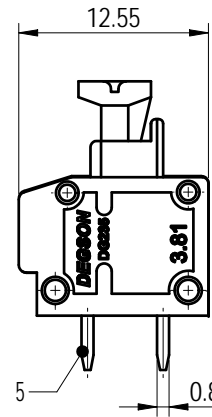
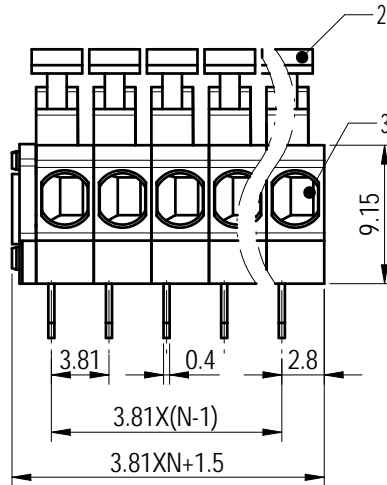
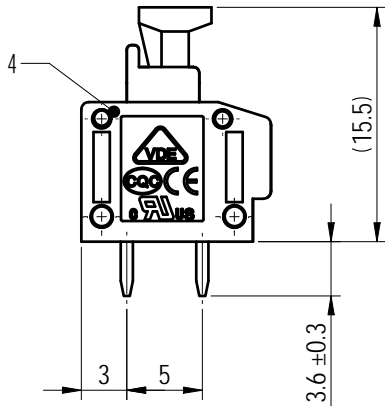
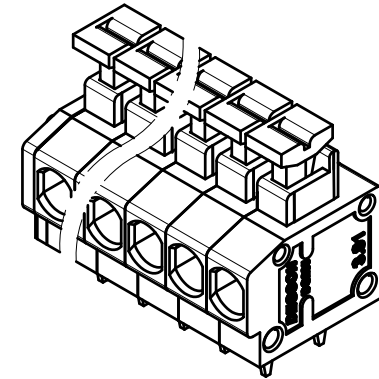
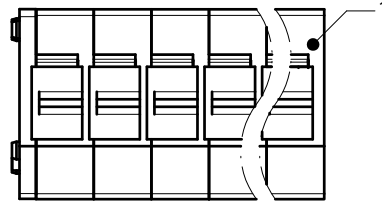


PCB LAYOUT



未注公差/General tolerances (mm)													0.1/10
0	>3	>6	>10	>18	>30	>50	>80	>120	>180	>250	>315	>400	
~3	~6	~10	~18	~30	~50	~80	~120	~180	~250	~315	~400	~500	±2'
±0.12	±0.18	±0.22	±0.26	±0.31	±0.37	±0.57	±0.80	±0.93	±1.05	±1.15	±1.60	±2.20	



Note:
The A&Z (H) in the name means: A(H) and Z(H).

ITEM	NAME OF PART	MATERIAL	NOTES
5	Pin header	Copper alloy	Sn plated
4	Cover	PA66	UL94V-0
3	Spring	Stainless steel	/
2	Button	PA66	UL94V-0
1	Housing	PA66	UL94V-0

UL 标准/UL Standard:	B	C	D
额定电压/电流/Rated Voltage(V)/Current(A)	300/5	150/5	300/5
IEC 标准/IEC Standard:			
过压类别/Overvoltage Category/污染等级/Pollution Degree	III/3	III/2	II/2
额定电压/电流/Rated Voltage(V)/Current(A)	/	250/10	/
工频耐压/Withstanding Voltage(V/1Min)	AC2000		
线径范围(硬线和软线)/Wire Range(rigid and flexible)(AWG/mm²)	0.5~1.0,1.5(Sol)/20~18		
间距/Pitch(mm)/线数范围/Poles	3.81/N=01~24P		
剥线长度/Stripping length(mm)	10		
使用温度范围/Operating temperature(°C)	-40~+105		
符合RoHS环保要求/Conform to RoHS	Yes		



MATERIAL:	SURFACE/COLOR:
MAT NO./REV: / 00	MAT STATUS: 批量

APPD: 兰春华	2022.10.19	NAME	DG235-3.81-XXP-1Y-00A&Z(H)			
CHKD: 陈招	2022.10.19					
DRFT: 龚徐涛	2022.10.19					

REV	ECN	DESCRIPTION	DRFT	DATE	⑤	④	A4	(inch)	DRAWING NO.	TYPE	DRAWING STATUS	SCALE	SHEET
00			龚徐涛	2022.10.19					200029157	CUSTOMER DRAWING	已发布	2:1	1/1

Transfer or duplication of this document as well as the utilization or communication of its content are prohibited unless authorized in writing by DEGSON. All rights reserved for patent. 除专利注明情况外，否则禁止非法、复制、仿用、或在本文件的基础上进行再复制或再开发。本公司保留对涉及发明、实用新型及外观设计的所有权利。