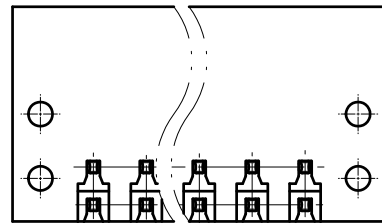
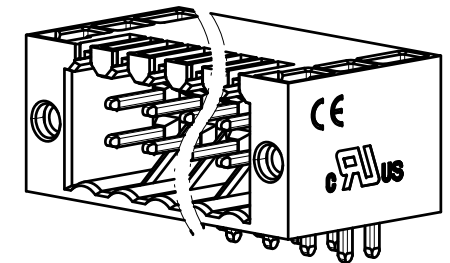
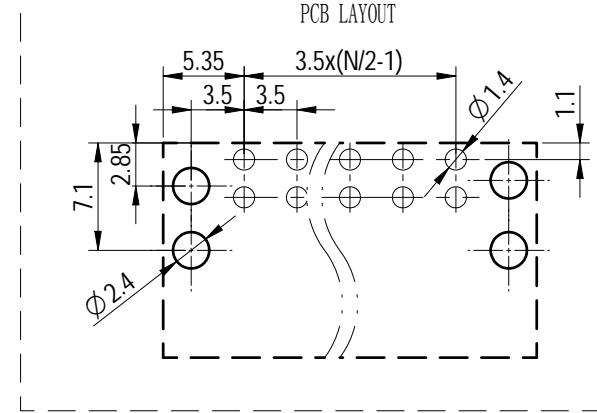
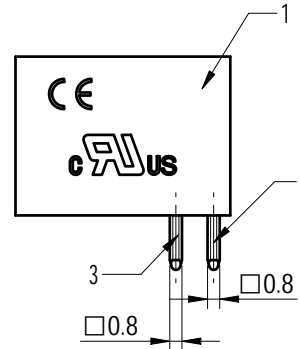
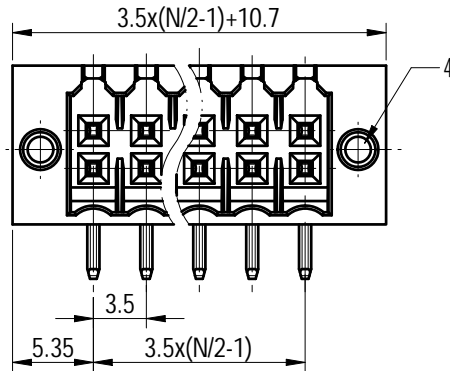
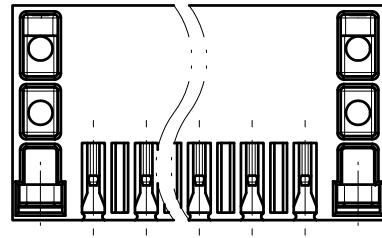
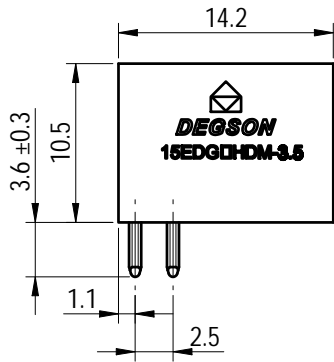


Transfer or duplication of this document as well as the utilization or communication of its contents are prohibited unless authorized in printed. Violations will be held for compensation. All rights reserved for patent, utility model or design registrations. 除专利等明确标注外, 其他标注均属于本公司保留的知识产权。未经本公司书面许可, 任何单位和个人不得擅自复制或传播。本公司保留追究法律责任的权利。

未注公差/General tolerances (mm)													0.1/10	
0	>3	>6	>10	>18	>30	>50	>80	>120	>180	>250	>315	>400		>500
±0.12	±0.18	±0.22	±0.26	±0.31	±0.37	±0.57	±0.80	±0.93	±1.05	±1.15	±1.60	±2.20	±2.50	±2'



ITEM	NAME OF PART	MATERIAL	NOTES
4	Nut	Steel	M2/Zn Plated
3	Short pin	Copper	Sn Plated
2	Long pin	Copper	Sn Plated
1	Housing	PA66+GF	UL94V-0

UL 标准/UL Standard:	B	C	D
额定电压/电流/Rated Voltage(V)/Current(A)	150/10	50/10	/
IEC 标准/IEC Standard:			
过压类别/Overvoltage Category/污染等级/Pollution Degree	III/3	III/2	II/2
额定电压/电流/Rated Voltage(V)/Current(A)	80/10	125/10	200/10
额定脉冲电压(KV)/Rate Impulse Voltage(KV)	2.5	2.5	2.5
间距/Fitch(mm)/线数范围/Poles	3.5/N= 04- 48P		
使用温度范围/Operating temperature(°C)	-40- +105		
符合RoHS环保要求/Conform to RoHS	Yes		

DEGSON		MATERIAL:	SURFACE/COLOR:	
APPD: 兰春华	2024.03.11	MAT NO./REV:	/ 00.01	
CHKD: 张玉华	2024.03.09	NAME		
DRFT: 陈迪辉	2024.03.06	15EDGRHDM-3.5-XXP-1Y-00Z (H)		
DRAWING NO.	TYPE	DRAWING STATUS	SCALE	SHEET
200029718	CUSTOMER DRAWING	已发布	2:1	1/1

REV	ECN	DESCRIPTION	DRFT	DATE
02			陈迪辉	2024.03.06