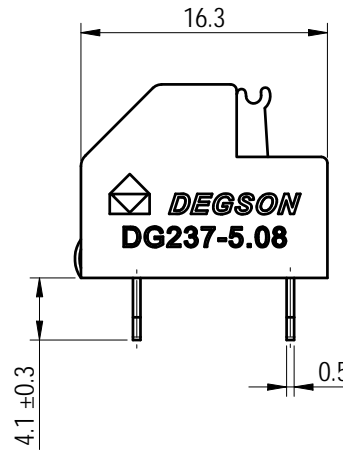
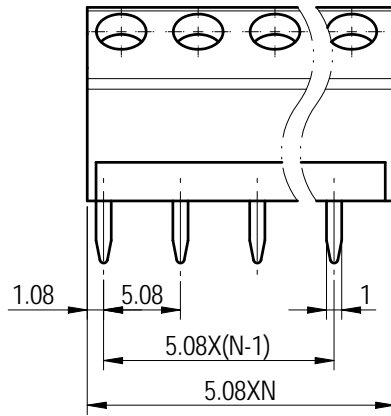
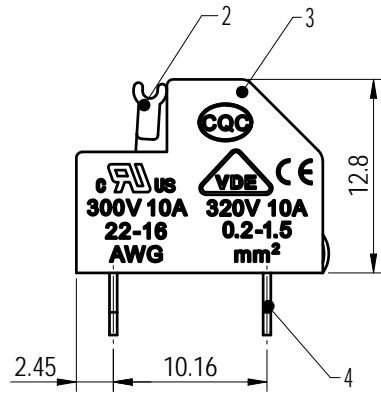
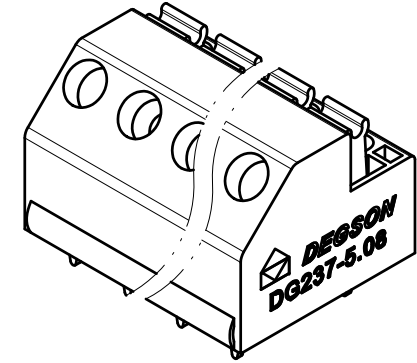


未注公差/General tolerances (mm)													0.1/10
0	>3	>6	>10	>18	>30	>50	>80	>120	>180	>250	>315	>400	
~3	~6	~10	~18	~30	~50	~80	~120	~180	~250	~315	~400	~500	±2'
±0.12	±0.18	±0.22	±0.26	±0.31	±0.37	±0.57	±0.80	±0.93	±1.05	±1.15	±1.60	±2.20	



Note:
The A&Z(H) in the name means: A(H) and Z(H).

ITEM	NAME OF PART	MATERIAL	NOTES
4	Pin header	Copper alloy	Sn plated
3	Housing	PA66	UL94V-0
2	Button	PA66	UL94V-0
1	Spring	Stainless steel	/

UL 标准/UL Standard:		B	C	D
额定电压/电流/Rated Voltage(V)/Current(A)		300/10	/	300/10
IEC 标准/IEC Standard:				
过压类别/Overvoltage Category/污染等级/Pollution Degree		III/3	III/2	II/2
额定电压/电流/Rated Voltage(V)/Current(A)		/	320/10	/
工频耐压/Withstanding voltage(V/1Min)		AC2500		
线径范围(硬线和软线)/Wire Range(rigid and flexible)(AWG/mm²)		22~16 / 0.2~1.5		
间距/Pitch(mm)/线数范围/Poles		5.08/N=02~12P		
剥线长度/Stripping length(mm)		8~9		
使用温度范围/Operating temperature(°C)		-40~+105		
符合RoHS环保要求/Conform to RoHS		Yes		



MATERIAL:	SURFACE/COLOR:
MAT NO./REV: / 00	MAT STATUS: 批量

APPD: 兰春华	2022.08.15
CHKD: 陈招	2022.08.15
DRFT: 龚徐涛	2022.08.15

NAME				
DG237-5.08-XXP-1Y-00A&Z(H)				

00			龚徐涛	2022.08.15
REV	ECN	DESCRIPTION	DRFT	DATE

DRAWING NO.	TYPE	DRAWING STATUS	SCALE	SHEET
200103113	CUSTOMER DRAWING	已发布	5:1	1/1

1	2	3	4	5	6
---	---	---	---	---	---

Transfer or duplication of this document as well as the utilization or communication of its content are prohibited unless authorized in writing by DEGSON. All rights reserved for patent, utility model or design registrations. 除专利、实用新型、外观设计、商标、注册、著作权等文件外，其他文件均受法律保护。未经授权，不得复制或传播。 0.1/10