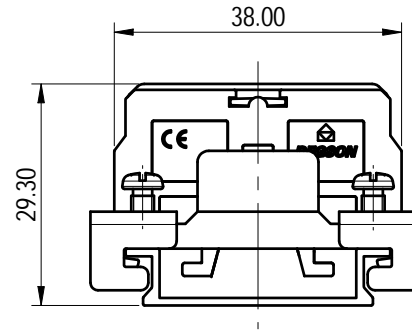
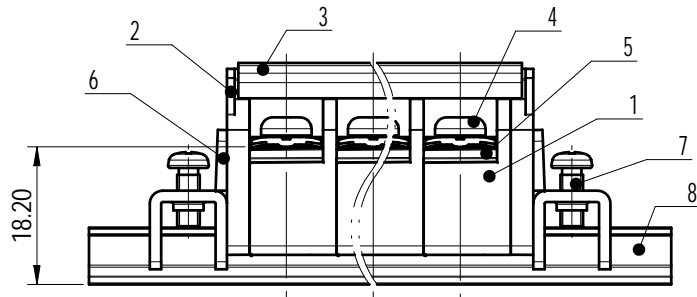
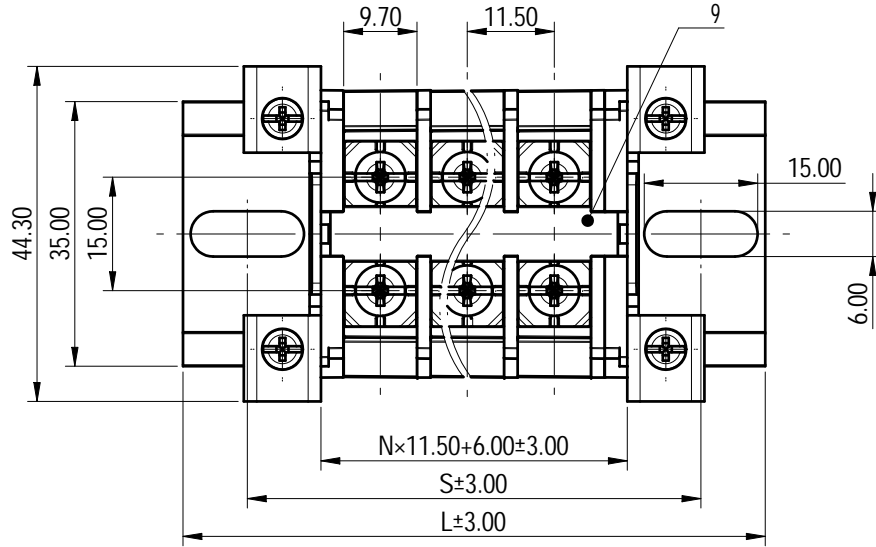


未注公差/General tolerances (mm)													0.1/10
0	>3	>6	>10	>18	>30	>50	>80	>120	>180	>250	>315	>400	
~3	~6	~10	~18	~30	~50	~80	~120	~180	~250	~315	~400	~500	±2'
±0.12	±0.18	±0.22	±0.26	±0.31	±0.37	±0.57	±0.80	±0.93	±1.05	±1.15	±1.60	±2.20	

(W/O COVER VIEW)



Note: The A&Z(H) in the name means: A(H) and Z(H).

ITEM	NAME OF PART	MATERIAL	NOTES
9	Tag	PVC	/
8	Tramroad	AL	/
7	Screw 2	Steel	Zn Plated
6	Fastener	Steel	Zn Plated
5	Current carrier	Copper alloy	Ni Plated
4	Screw 1	Steel	Zn Plated
3	Cover	PC	UL94V-2
2	Housing 2	PC	UL94V-0
1	Housing 1	PC	UL94V-0

POLES	1	2	3	4	5	6	7	8	9	10	11	12	13	14	15	16	21
S	40	60	60	80	80	100	100	120	140	140	160	160	180	180	200	220	270
L	57	77	77	97	97	117	117	137	157	157	177	177	197	197	217	237	290

UL 标准/UL Standard:		B	C	D
额定电压/电流/Rated Voltage(V)/Current(A)		600/30	600/30	/
螺丝扭矩/Torque Tightening(N·m/Lb.in)		M4, 1.4/12.63		
线径范围(硬线和软线)/Wire Range(rigid and flexible)(AWG)		20~10		
间距/Pitch(mm)/线数范围/Poles		11.50/N=01~16P.21P		
使用温度范围/Operating temperature(°C)		-40~+125		
符合RoHS环保要求/Conform to RoHS		Yes		

	MATERIAL:	SURFACE/COLOR:				
	MAT NO./REV:	-	/	00	MAT STATUS: 批量	
APPD: 蓝贵凡	2023.06.15	NAME				
CHKD: 曹利彬	2023.06.15	DGR30-XXP-1Y-10A&Z(H)				
DRFT: 姜民洁	2023.06.15	DRAWING NO.	TYPE	DRAWING STATUS	SCALE	SHEET
		200199156	CUSTOMER DRAWING	已发布	1:1	1/1

REV	ECN	DESCRIPTION	DRFT	DATE
00				

Transfer or duplication of this document as well as the utilization or communication of its contents are prohibited unless authorized in writing by the copyright owner. All rights reserved for patent, utility model or design registrations. 除专利、实用新型、外观设计、软件著作权等依法注册的权利外，其他权利均归权利人所有。未经许可，不得复制或传播。