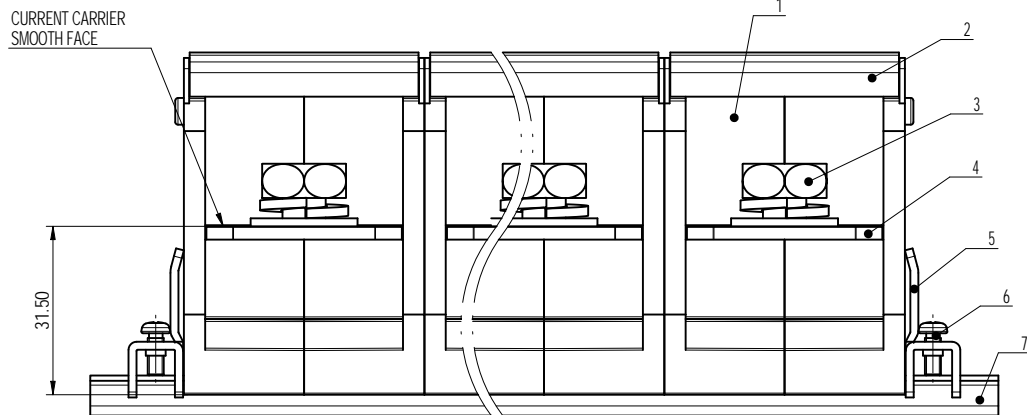
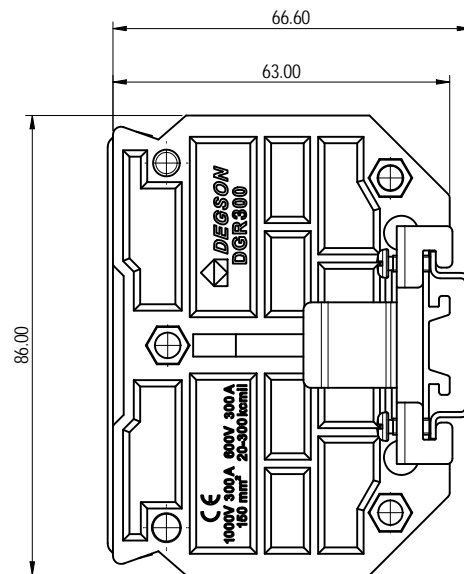
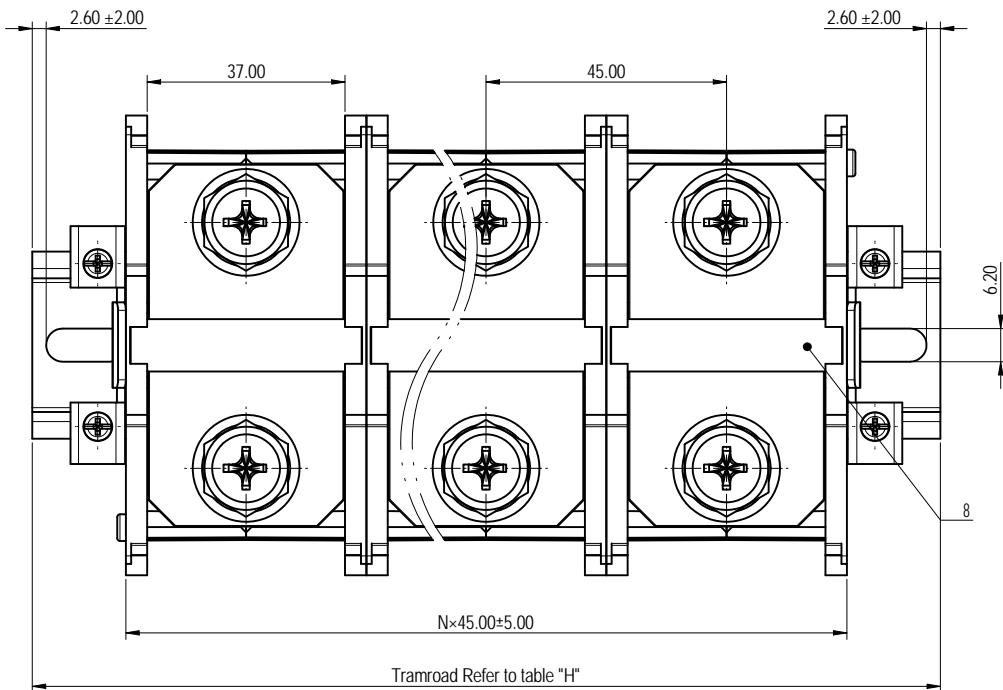


公差表 (General tolerances (mm))											D 0.1/10			
0	>3	>6	>10	>18	>30	>50	>80	>120	>180	>250		>315	>400	>500
±0.12	±0.18	±0.22	±0.26	±0.31	±0.37	±0.57	±0.80	±0.93	±1.05	±1.15	±1.60	±2.20	±2.50	±2

(W/O COVER VIEW)



Tramroad Refer to table "H"

Poles	L(mm)
01P	95.00±3.00
02P	145.00±3.00
03P	170.00±3.00
04P	220.00±3.00
05P	270.00±3.00
06P	320.00±3.00
07P	370.00±3.00
08P	395.00±3.00
09P	445.00±3.00
10P	495.00±3.00
11P	545.00±3.00
12P	595.00±3.00
13P	620.00±3.00
14P	670.00±3.00
15P	720.00±3.00
16P	770.00±3.00

Note: The A&Z(H) in the name means: A(H) and Z(H).

ITEM	NAME OF PART	MATERIAL	NOTES
8	Tag	PVC	UL94V-0
7	Tramroad	Steel	Zn Plated
6	Screw 2	Steel	Zn Plated
5	Fastener	Spcc	Zn Plated
4	Current carrier	Copper alloy	Ni Plated
3	Screw 1	Steel	Zn Plated
2	Cover	PC	UL94V-2
1	Housing	PC	UL94V-0

UL 标准/UL Standard:	B	C	D
额定电压/电流/Rated Voltage(V)/Current(A)	600/300	600/300	600/5
螺丝扭矩/Torque Tightening(N·m/Lb.in)	M10: 9.0/80.0		
线径范围(硬线和软线)/Wire Range(rigid and flexible)(AWG/mm ²)	20~300kcmil		
间距/Pitch(mm)/线数范围/Poles	45.00/N=01~16P		
使用温度范围/Operating temperature(°C)	-40~+125		
符合RoHS环保要求/Conform to RoHS	Yes		

DEGSON MATERIAL: SURFACE/COLOR: MAT NO./REV: - / 00 MAT STATUS: 批量

APPD: 蓝美凡 2024.01.24 NAME: DGR300-XP-1Y-00A&Z(H)

CHKD: 曹利彬 2024.01.24

DRFT: 姜民浩 2024.01.24

DRAWING NO. 200267389 TYPE CUSTOMER DRAWING DRAWING STATUS 已发布 SCALE 1:1 SHEET 1/1

REV	ECN	DESCRIPTION	DRFT	DATE
00			姜民浩	2024.01.24

Transfer or duplication of this document as well as the utilization of its contents without the written consent of DEGSON is prohibited. All rights reserved for patent. 此文件的复制或再版以及其内容的使用，未经DEGSON书面同意，均被禁止。保留所有权利。 未经授权，不得复制或再版此文件。